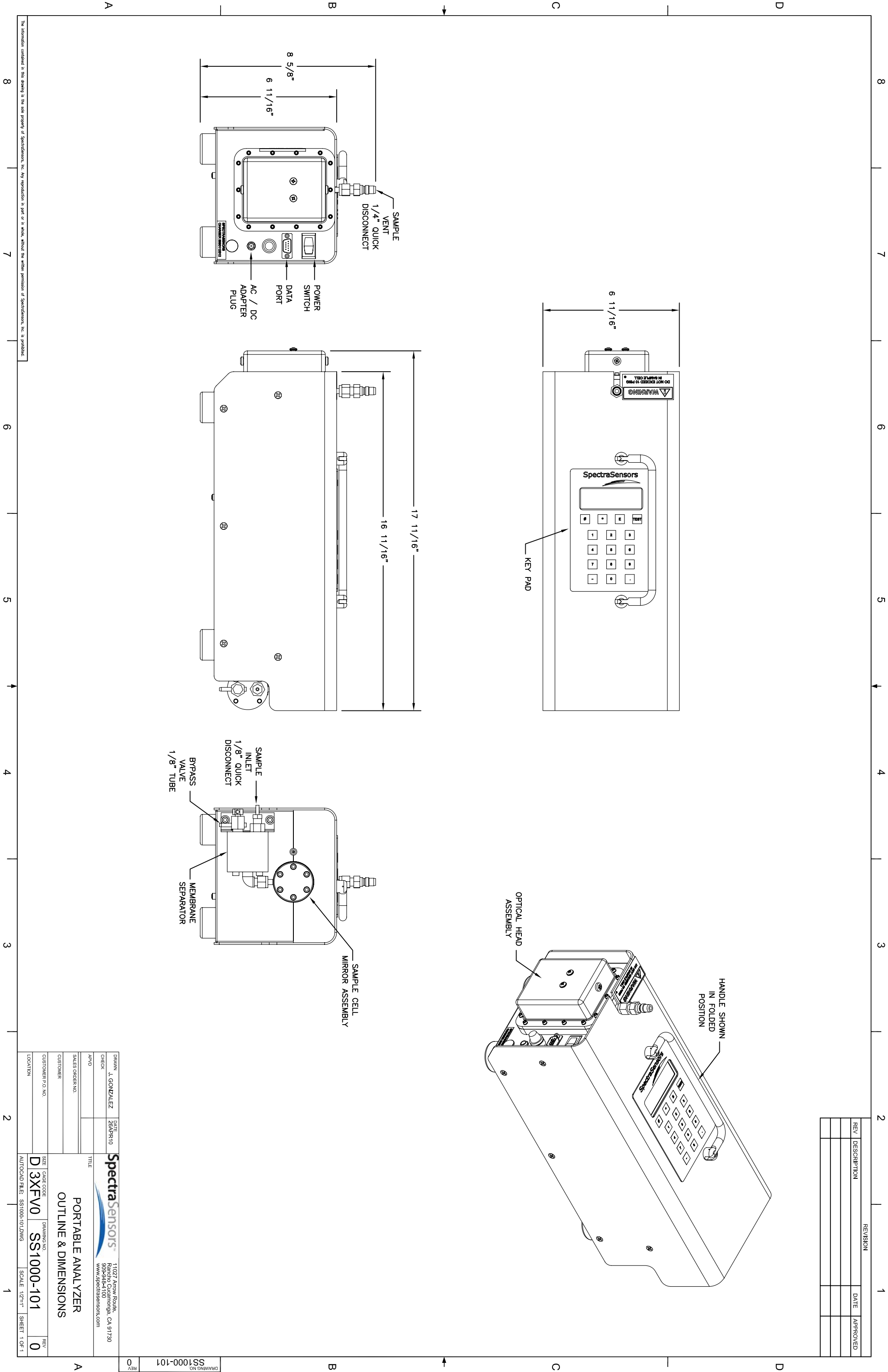
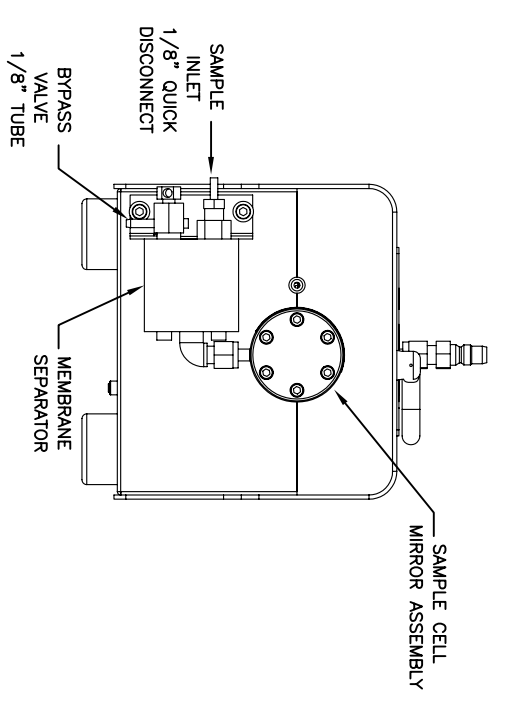
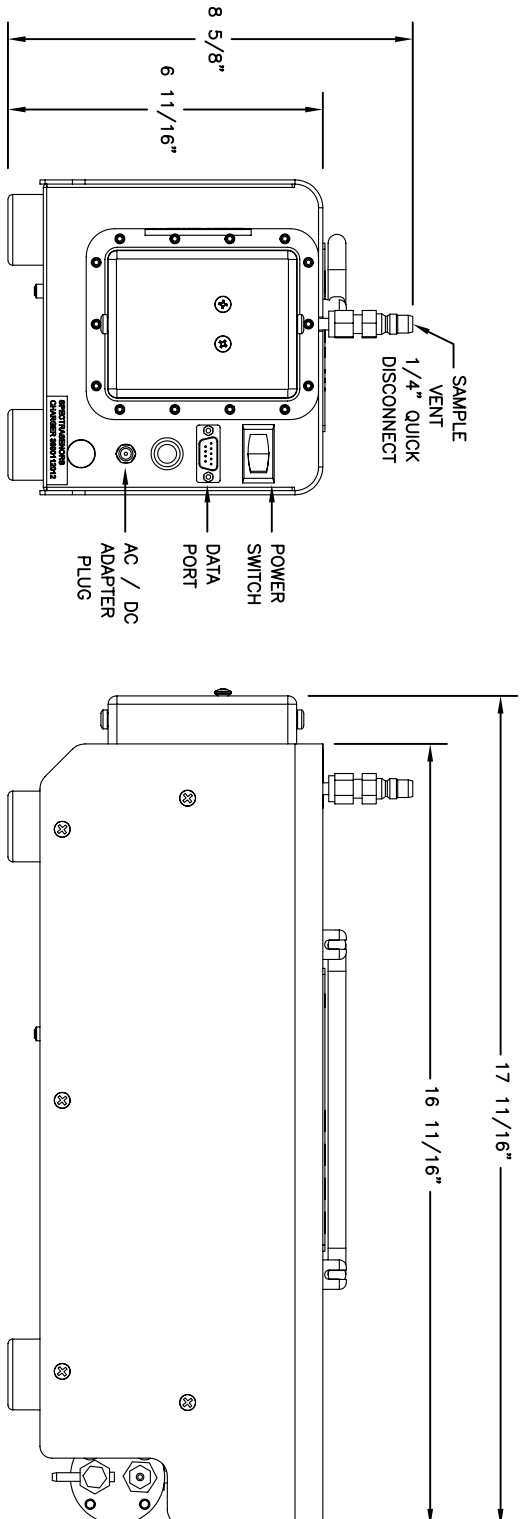
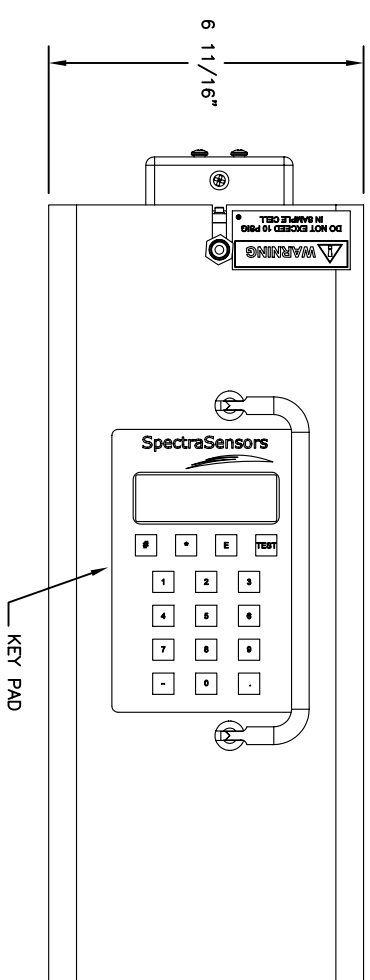
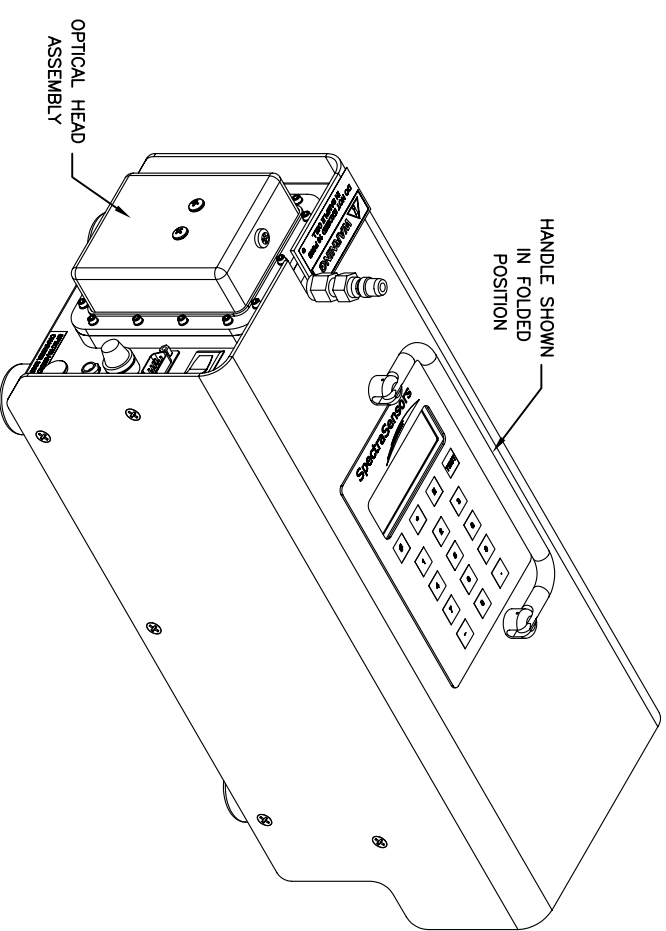


REV	DESCRIPTION	REVISION	DATE	APPROVED



SS1000-101  
DRAWING NO.

REV 0

**SpectraSensors**  
11027 Arrow Road,  
Rancho Cucamonga, CA 91730  
www.spectrasensors.com

**PORTABLE ANALYZER  
OUTLINE & DIMENSIONS**

DRAWN: J. GONZALEZ	DATE: 28/08/10	SHEET: 1 OF 1
CHECK:		
APPROVED:		
SALES ORDER NO.:		
CUSTOMER:		
CUSTOMER P.O. NO.:		
LOCATION:		
SIZE: CAGE CODE	DRAWING NO.	REV.
D 3XFW0	SS1000-101	0
AUTOCAD FILE: SS1000-101.DWG	SCALE: 1/2"=1"	

The information contained in this drawing is the sole property of SpectraSensors, Inc. Any reproduction in part or in whole, without the written permission of SpectraSensors, Inc. is prohibited.