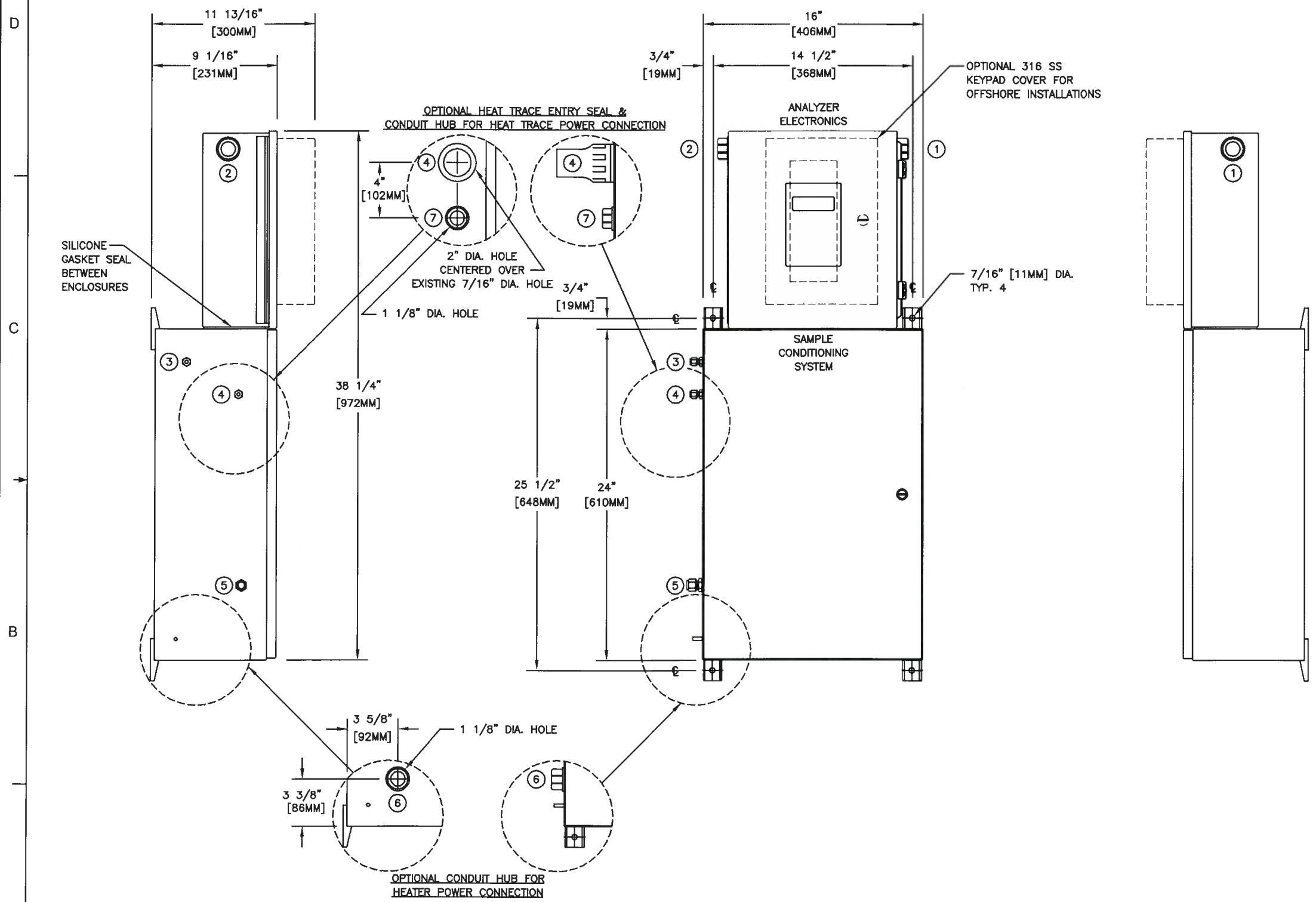


REVISION			
REV	DESCRIPTION	DATE	APPROVED
A	INITIAL RELEASE EO 13690	02JULY10	C. BREWER
B	UPDATED PER ECR15129	11FEB13	C. BREWER

FIELD CONNECTION LEGEND

NO.	SERVICE	CONNECTION
1	ANALYZER POWER	3/4" CONDUIT
2	SIGNAL WIRING	3/4" CONDUIT
3	SAMPLE PORT/VAL GAS SUPPLY	1/4" SS TUBE
4	SAMPLE SUPPLY	1/4" SS TUBE
5	SAMPLE RETURN	1/2" SS TUBE
OPTIONAL 6	HEATER POWER	3/4" CONDUIT
OPTIONAL 7	HEAT TRACE POWER	3/4" CONDUIT

SEE DRAWING 8300002009
FOR LABEL SPECIFICATION



AREA CLASSIFICATION
CLASS 1, DIV. 2, GR. B,C&D

DRAWN	J. GONZALEZ	DATE	10JUNE10		11027 Arrow Route, Rancho Cucamonga, CA 91730 909-948-4100 www.spectrasensors.com
CHECKED	<i>[Signature]</i>	DATE	10JUNE10		
APPROVED	C. BREWER	DATE	10JUNE10	TITLE	SS500E/SS2000E ANALYZER SYSTEM OUTLINE & MOUNTING DIMENSIONS
SALES ORDER NO.		CUSTOMER		SIZE	D 3XFV0
CUSTOMER P.O. NO.		CUSTOMER		DRAWING NO.	SC402E-1-101
LOCATION		CUSTOMER		REV	B
AUTOCAD FILE: SC402E-1-101.DWG				SCALE	1/4"=1"
				SHEET	1 OF 1

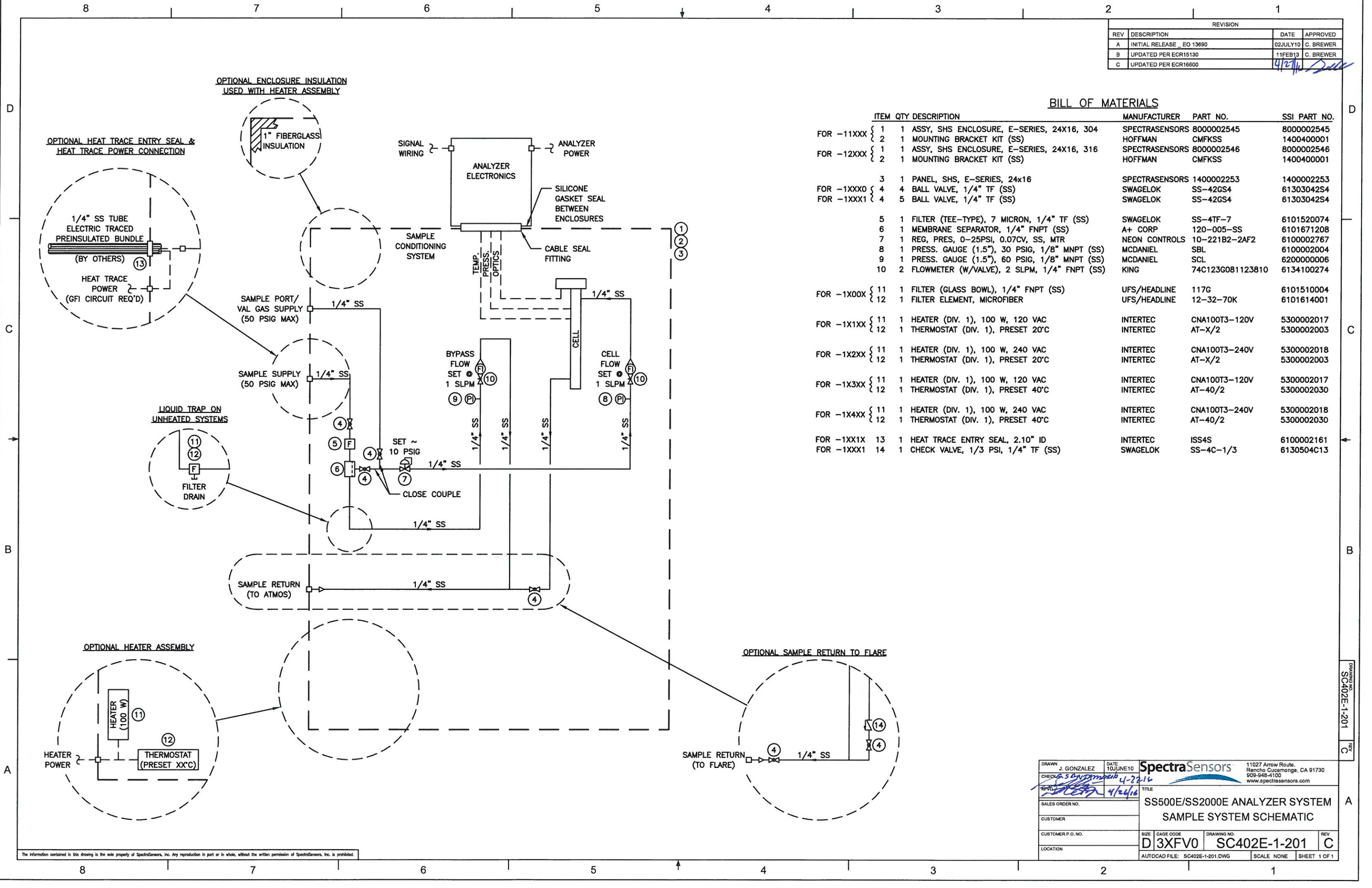
The information contained in this drawing is the sole property of SpectraSensors, Inc. Any reproduction in part or in whole, without the written permission of SpectraSensors, Inc. is prohibited.

DRAWING NO. SC402E-1-101 REV. B

REVISION			
REV	DESCRIPTION	DATE	APPROVED
A	INITIAL RELEASE - EO 13690	02JULY10	C. BREWER
B	UPDATED PER ECR15130	11FEB13	C. BREWER
C	UPDATED PER ECR16600	4/27/16	<i>[Signature]</i>

BILL OF MATERIALS

ITEM	QTY	DESCRIPTION	MANUFACTURER	PART NO.	SSI PART NO.
FOR -11XXX	{ 1	1 ASSY, SHS ENCLOSURE, E-SERIES, 24X16, 304	SPECTRASENSORS	8000002545	8000002545
	{ 2	1 MOUNTING BRACKET KIT (SS)	HOFFMAN	CMFKSS	1400400001
FOR -12XXX	{ 1	1 ASSY, SHS ENCLOSURE, E-SERIES, 24X16, 316	SPECTRASENSORS	8000002546	8000002546
	{ 2	1 MOUNTING BRACKET KIT (SS)	HOFFMAN	CMFKSS	1400400001
	3	1 PANEL, SHS, E-SERIES, 24x16	SPECTRASENSORS	1400002253	1400002253
FOR -1XXX0	{ 4	4 BALL VALVE, 1/4" TF (SS)	SWAGELOK	SS-42GS4	61303042S4
FOR -1XXX1	{ 4	5 BALL VALVE, 1/4" TF (SS)	SWAGELOK	SS-42GS4	61303042S4
	5	1 FILTER (TEE-TYPE), 7 MICRON, 1/4" TF (SS)	SWAGELOK	SS-4TF-7	6101520074
	6	1 MEMBRANE SEPARATOR, 1/4" FNPT (SS)	A+ CORP	120-005-SS	6101671208
	7	1 REG, PRES, 0-25PSI, 0.07CV, SS, MTR	NEON CONTROLS	10-221B2-2AF2	6100002767
	8	1 PRESS. GAUGE (1.5"), 30 PSIG, 1/8" MNPT (SS)	MCDANIEL	SBL	6100002004
	9	1 PRESS. GAUGE (1.5"), 60 PSIG, 1/8" MNPT (SS)	MCDANIEL	SCL	6200000006
	10	2 FLOWMETER (W/VALVE), 2 SLPM, 1/4" FNPT (SS)	KING	74C123G081123810	6134100274
FOR -1X00X	{ 11	1 FILTER (GLASS BOWL), 1/4" FNPT (SS)	UFS/HEADLINE	117G	6101510004
	{ 12	1 FILTER ELEMENT, MICROFIBER	UFS/HEADLINE	12-32-70K	6101614001
FOR -1X1XX	{ 11	1 HEATER (DIV. 1), 100 W, 120 VAC	INTERTEC	CNA100T3-120V	5300002017
	{ 12	1 THERMOSTAT (DIV. 1), PRESET 20°C	INTERTEC	AT-X/2	5300002003
FOR -1X2XX	{ 11	1 HEATER (DIV. 1), 100 W, 240 VAC	INTERTEC	CNA100T3-240V	5300002018
	{ 12	1 THERMOSTAT (DIV. 1), PRESET 20°C	INTERTEC	AT-X/2	5300002003
FOR -1X3XX	{ 11	1 HEATER (DIV. 1), 100 W, 120 VAC	INTERTEC	CNA100T3-120V	5300002017
	{ 12	1 THERMOSTAT (DIV. 1), PRESET 40°C	INTERTEC	AT-40/2	5300002030
FOR -1X4XX	{ 11	1 HEATER (DIV. 1), 100 W, 240 VAC	INTERTEC	CNA100T3-240V	5300002018
	{ 12	1 THERMOSTAT (DIV. 1), PRESET 40°C	INTERTEC	AT-40/2	5300002030
FOR -1XX1X	13	1 HEAT TRACE ENTRY SEAL, 2.10" ID	INTERTEC	ISS4S	6100002161
FOR -1XXX1	14	1 CHECK VALVE, 1/3 PSI, 1/4" TF (SS)	SWAGELOK	SS-4C-1/3	6130504C13

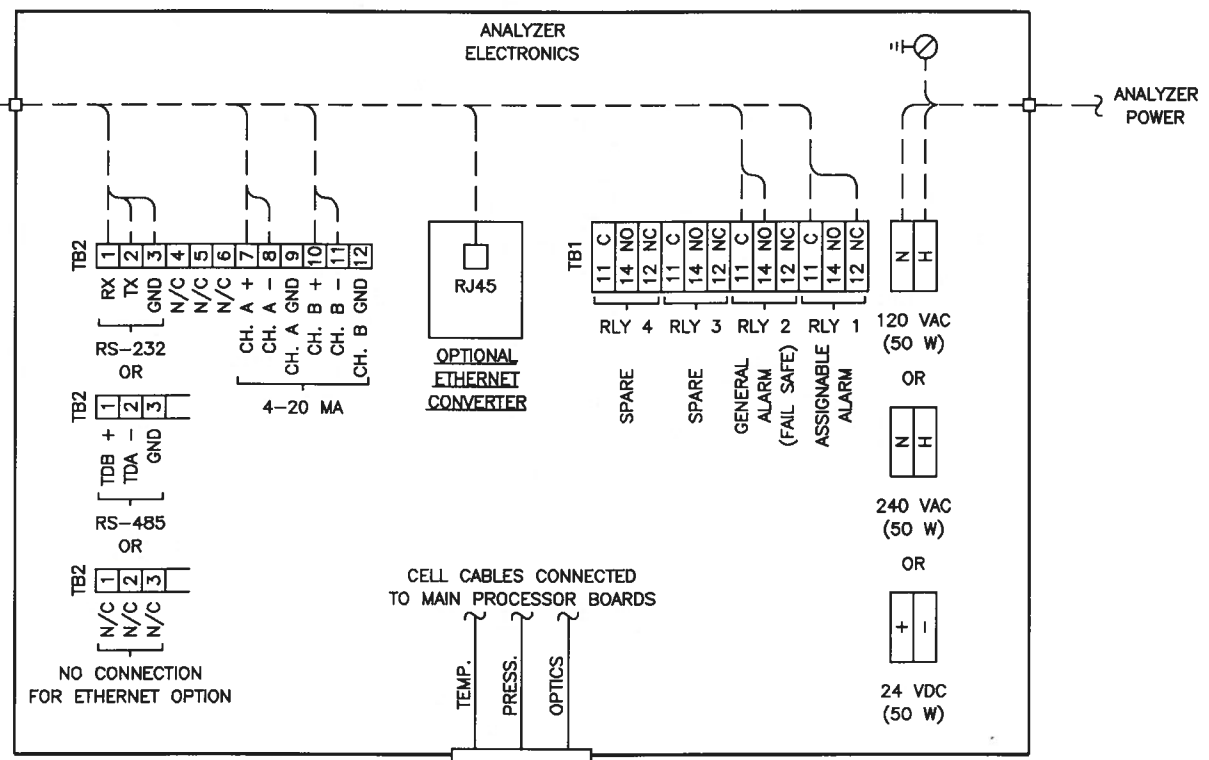


DRAWN J. GONZALEZ	DATE 10JUNE10	SpectraSensors		11027 Arrow Route, Rancho Cucamonga, CA 91730 909-948-4100 www.spectrasensors.com
CHECKED <i>[Signature]</i>	DATE 4-22-16	TITLE SS500E/SS2000E ANALYZER SYSTEM SAMPLE SYSTEM SCHEMATIC		
APPROVED <i>[Signature]</i>	DATE 4/24/16	SALES ORDER NO.	CUSTOMER	CUSTOMER P.O. NO.
LOCATION		SIZE D 3XFV0	CAGE CODE SC402E-1-201	DRAWING NO. REV C
AUTOCAD FILE: SC402E-1-201.DWG		SCALE NONE	SHEET 1 OF 1	

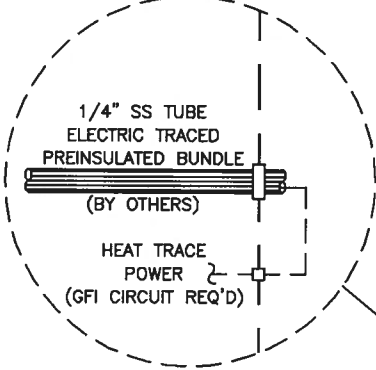
The information contained in this drawing is the sole property of SpectraSensors, Inc. Any reproduction in part or in whole, without the written permission of SpectraSensors, Inc. is prohibited.

DRAWING NO. SC402E-1-201 REV C

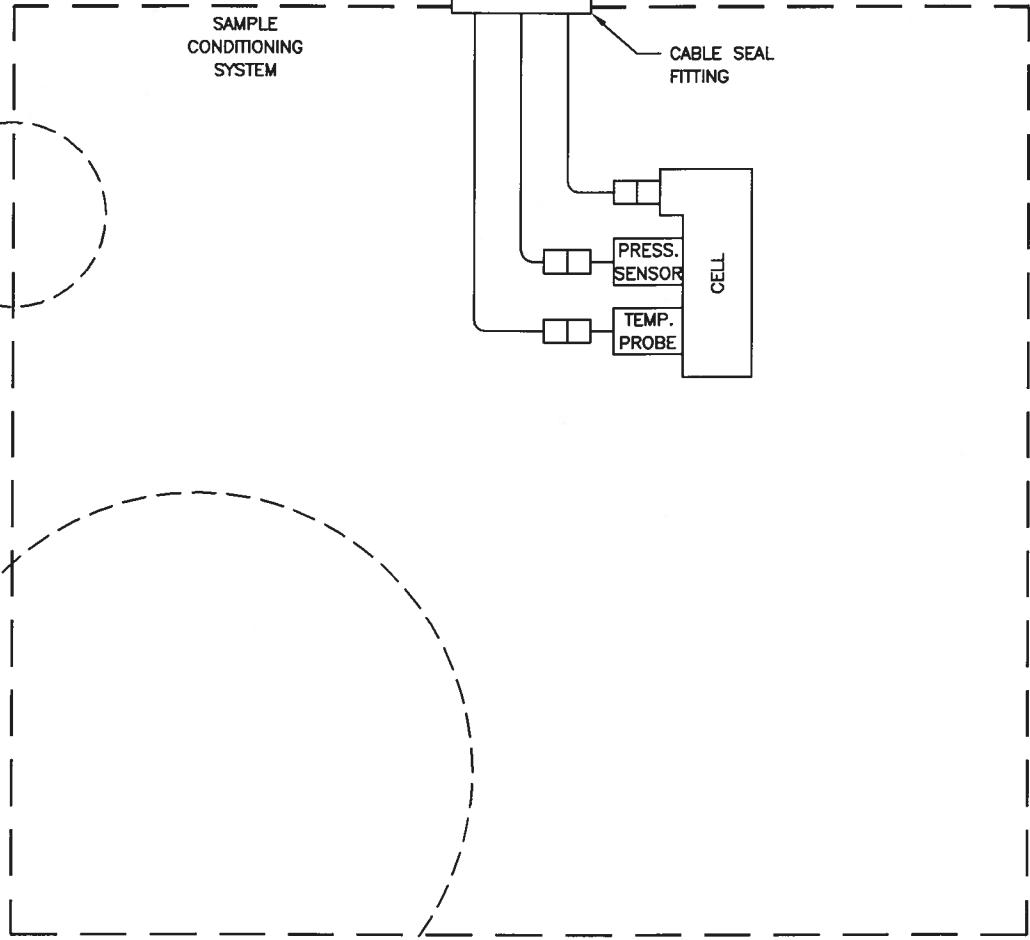
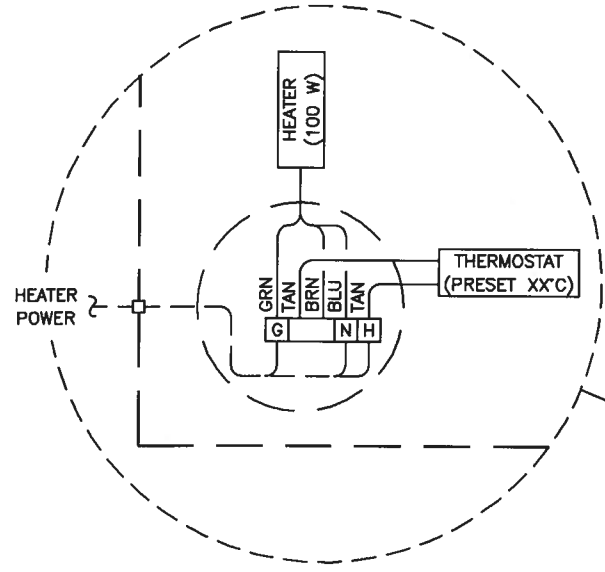
REVISION			
REV	DESCRIPTION	DATE	APPROVED
A	INITIAL RELEASE EO 13690	02JULY10	C. BREWER
B	UPDATED PER ECR15131	11FEB13	C. BREWER



OPTIONAL HEAT TRACE ENTRY SEAL & HEAT TRACE POWER CONNECTION



OPTIONAL HEATER ASSEMBLY



The information contained in this drawing is the sole property of SpectraSensors, Inc. Any reproduction in part or in whole, without the written permission of SpectraSensors, Inc. is prohibited.

DRAWN: J. GONZALEZ	DATE: 10JUNE10	SpectraSensors	11027 Arrow Route, Rancho Cucamonga, CA 91730 909-948-4100 www.spectrasensors.com
CHECKED: B. KING	DATE: 10JUNE10		
APPROVED: C. BREWER	DATE: 10JUNE10	TITLE: SS500E/SS2000E ANALYZER SYSTEM POWER & SIGNAL WIRING DIAGRAM	
SALES ORDER NO.		SIZE: D	CAGE CODE: 3XFV0
CUSTOMER		DRAWING NO.: SC402E-1-301	REV: B
CUSTOMER P.O. NO.		AUTOCAD FILE: SC402E-1-301.DWG	SCALE: NONE
LOCATION		SHEET 1 OF 1	

DRAWING NO. SC402E-1-301 REV. B