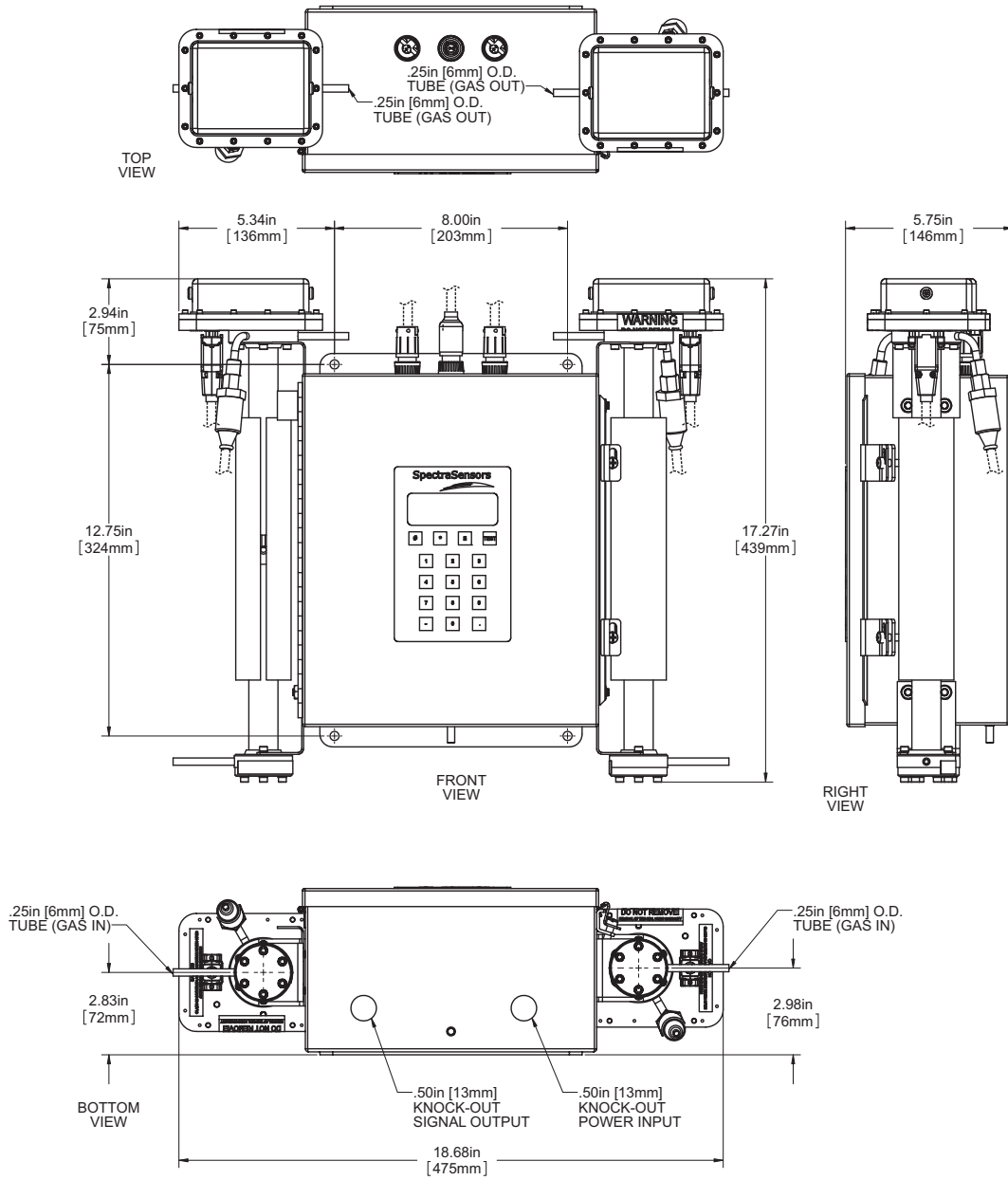


**Figure B-5** SS3000 0.8-m/0.1-m cells (moisture/carbon dioxide) outline and mounting dimensions



**Figure B-6** SS3000 0.8-m/0.8-m cells (moisture/moisture) outline and mounting dimensions