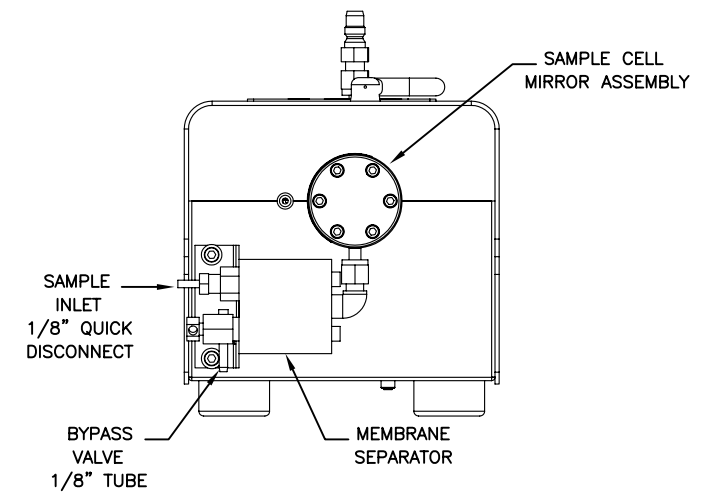
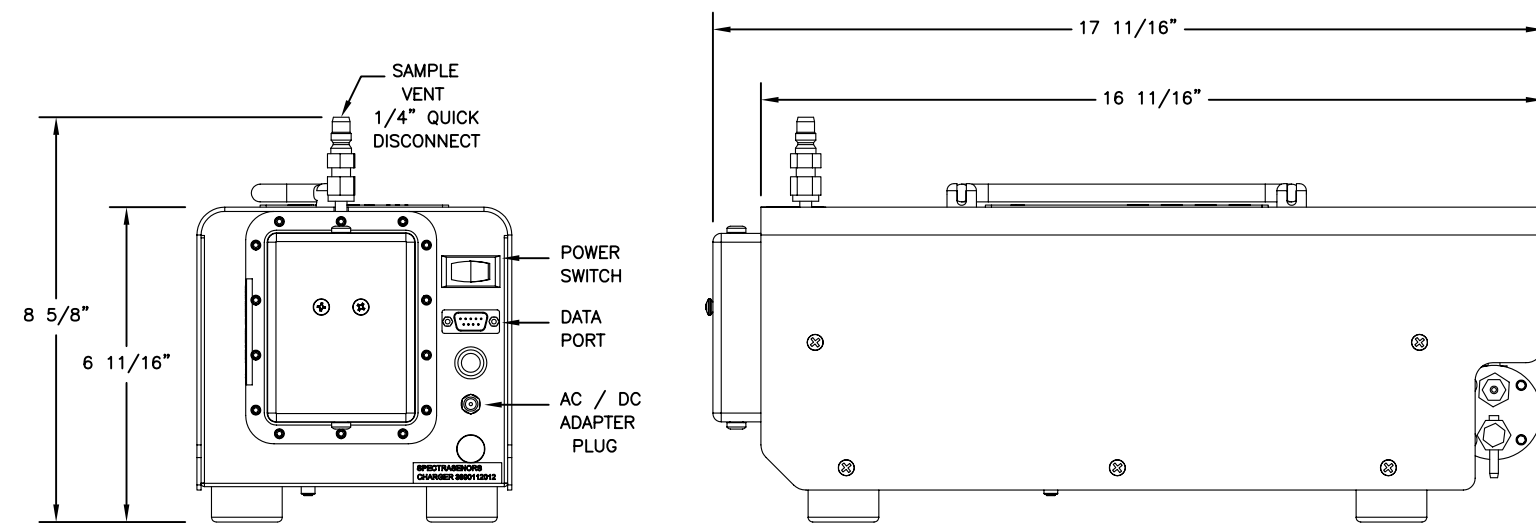
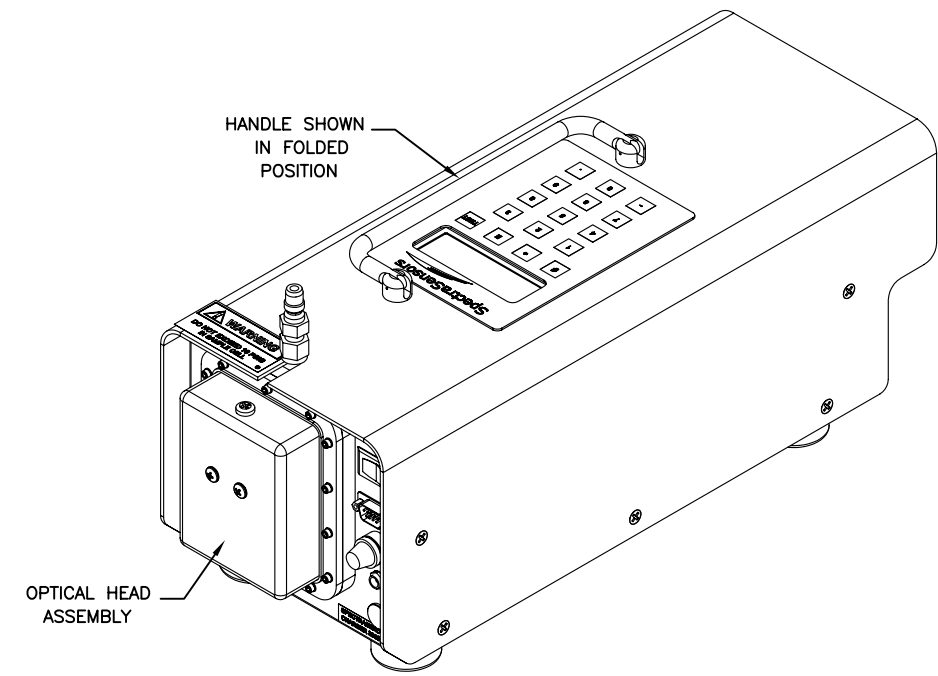
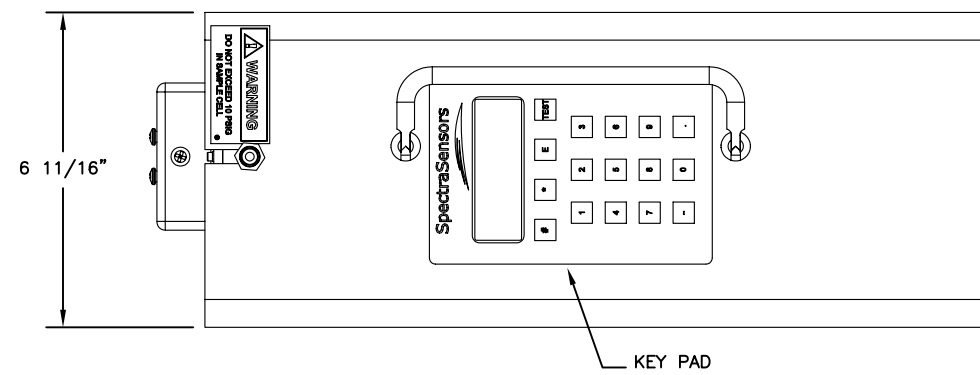


REVISION				
REV	DESCRIPTION	DATE	APPROVED	



The information contained in this drawing is the sole property of SpectraSensors, Inc. Any reproduction in part or in whole, without the written permission of SpectraSensors, Inc. is prohibited.

DRAWN	J. GONZALEZ	DATE	26APR10		11027 Arrow Route, Rancho Cucamonga, CA 91730 909-948-4100 www.spectrasensors.com	
CHECK						
APVD		TITLE			PORTABLE ANALYZER OUTLINE & DIMENSIONS	
SALES ORDER NO.		CUSTOMER				
CUSTOMER P.O. NO.		SIZE	CAGE CODE	DRAWING NO.	REV.	
LOCATION		D	3XFV0	SS1000-101	0	
AUTOCAD FILE: SS1000-101.DWG				SCALE	1/2"=1"	SHEET 1 OF 1

DRAWING NO. SS1000-101 REV. 0