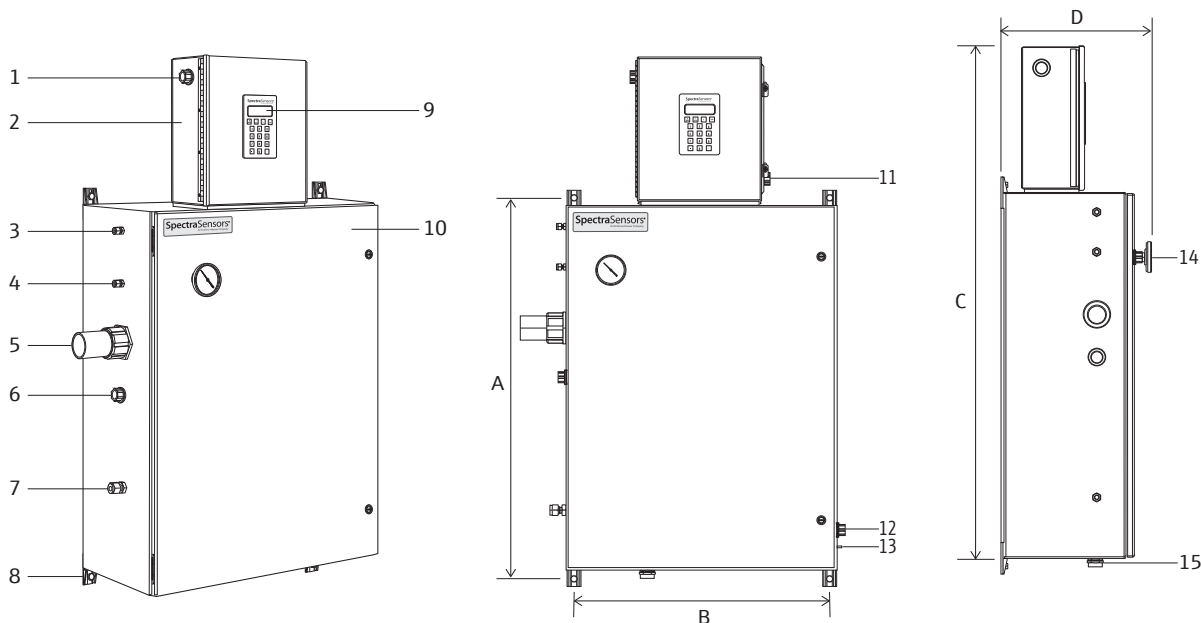


Technical Information

SS2100

Typical configuration for H₂S, CO₂, and C₂H₂ analyzers



Field Connections and Product Features

1. Signal wiring
2. Analyzer electronics
3. Instrument air inlet (optional)
4. Validation gas inlet & sampling point
5. Sample inlet (heat traced bundle sleeve – optional)
6. Heat trace power connection
7. Sample vent
8. Mounting brackets (four places)
9. Analyzer display and keypad
10. Sample conditioning system (SCS) and TDLAS cell enclosure
11. Analyzer power
12. SCS enclosure heater power (not powered from analyzer electronics)
13. Grounding/Earth studs
14. SCS enclosure temperature gauge
15. SCS enclosure breather/drain

Dimensions		
	Inches	mm
A	37.5	952
B	22.5	572
C	50.6	1285
D	15.5	394

DISCLAIMER: These drawings are for quoting purposes only. Dimensions may change if accessories are added. Consult factory when further clarification is needed.

Contact

4333 W. Sam Houston Pkwy N.
Suite 100
Houston, TX 77043

Tel +1 713 300 2700
+1 800 619 2861
Fax +1 713 856 6623

sales@spectrasensors.com
service@spectrasensors.com
www.spectrasensors.com

SpectraSensors®
An Endress+Hauser Company