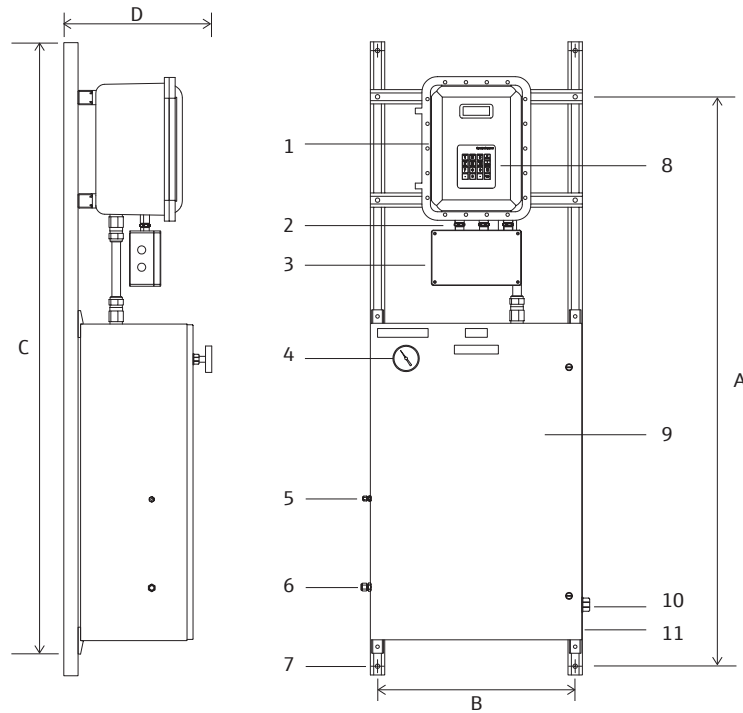


## Technical Information

# SS2100a Analyzer

Typical configuration for H<sub>2</sub>S, CO<sub>2</sub>, H<sub>2</sub>O, NH<sub>3</sub>, and C<sub>2</sub>H<sub>2</sub> analyzers



## Field Connections and Product Features

1. Analyzer electronics
2. Analyzer power
3. Signal wiring
4. SCS enclosure temperature gauge
5. Sample inlet (heat traced bundle sleeve – optional)
6. Sample vent
7. Mounting brackets (four places)
8. Analyzer display and keypad
9. Sample conditioning system (SCS) and TDLAS cell enclosure
10. SCS enclosure heater power (not powered from analyzer electronics)
11. Grounding/Earth studs

Dimensions		
	Inches	mm
A	70	1778
B	22.5	572
C	72	1829
D	16.8	427

DISCLAIMER: These drawings are for quoting purposes only. Dimensions may change if accessories are added. Consult factory when further clarification is needed.

[www.spectrasensors.com/contact](http://www.spectrasensors.com/contact)