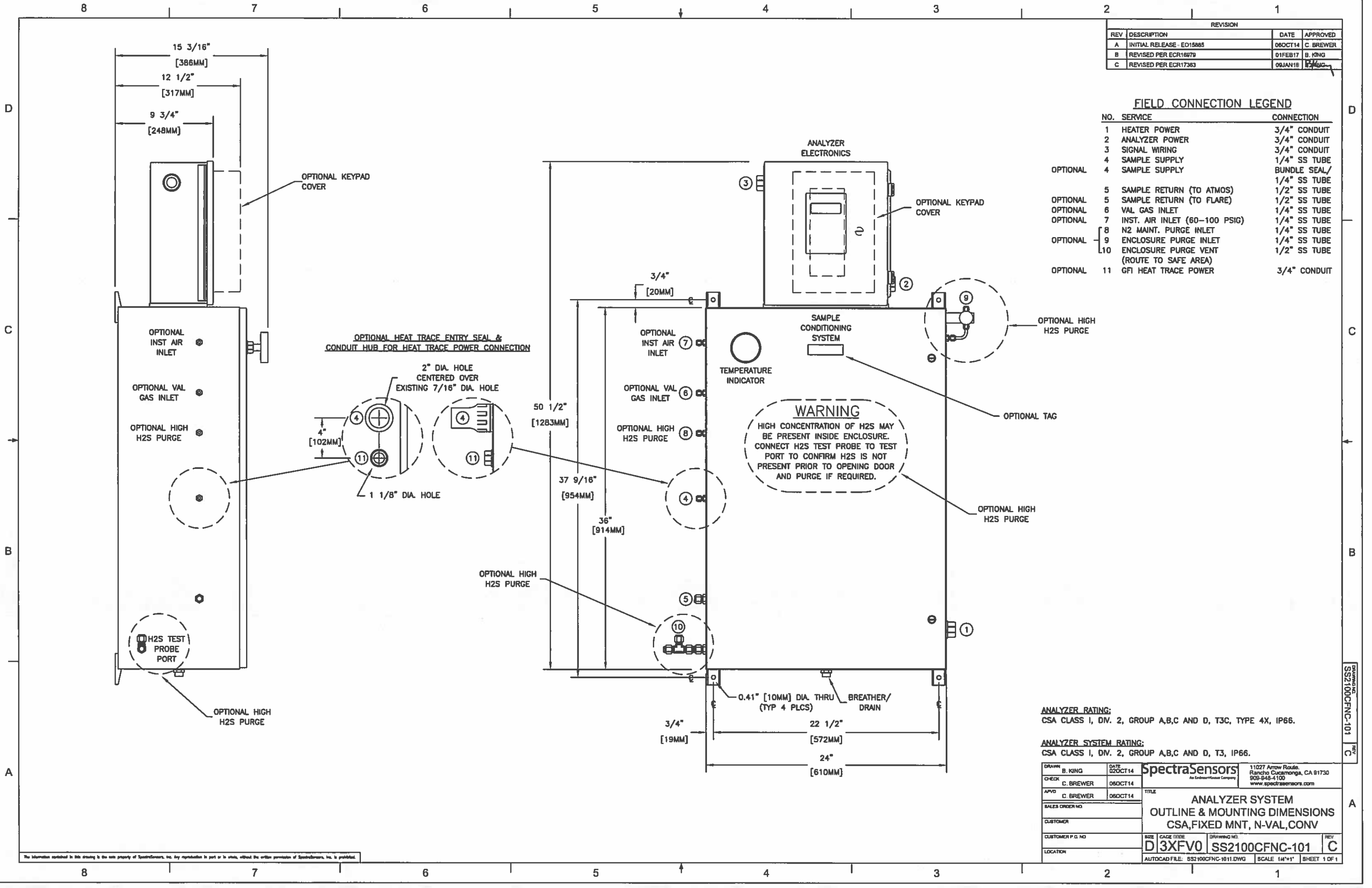


REVISION			
REV	DESCRIPTION	DATE	APPROVED
A	INITIAL RELEASE - E015885	06OCT14	C. BREWER
B	REVISED PER ECR16979	01FEB17	B. KING
C	REVISED PER ECR17363	06JAN18	B. KING

FIELD CONNECTION LEGEND

NO.	SERVICE	CONNECTION
1	HEATER POWER	3/4" CONDUIT
2	ANALYZER POWER	3/4" CONDUIT
3	SIGNAL WIRING	3/4" CONDUIT
4	SAMPLE SUPPLY	1/4" SS TUBE
OPTIONAL 4	SAMPLE SUPPLY	BUNDLE SEAL/ 1/4" SS TUBE
5	SAMPLE RETURN (TO ATMOS)	1/2" SS TUBE
OPTIONAL 5	SAMPLE RETURN (TO FLARE)	1/2" SS TUBE
OPTIONAL 6	VAL GAS INLET	1/4" SS TUBE
OPTIONAL 7	INST. AIR INLET (60-100 PSIG)	1/4" SS TUBE
OPTIONAL 8	N2 MAINT. PURGE INLET	1/4" SS TUBE
OPTIONAL 9	ENCLOSURE PURGE INLET	1/4" SS TUBE
OPTIONAL 10	ENCLOSURE PURGE VENT (ROUTE TO SAFE AREA)	1/2" SS TUBE
OPTIONAL 11	GFI HEAT TRACE POWER	3/4" CONDUIT



ANALYZER RATING:
CSA CLASS I, DIV. 2, GROUP A,B,C AND D, T3C, TYPE 4X, IP66.

ANALYZER SYSTEM RATING:
CSA CLASS I, DIV. 2, GROUP A,B,C AND D, T3, IP66.

DRAWN: B. KING	DATE: 02OCT14	SpectraSensors An Environmental Company	11027 Arrow Route, Rancho Cucamonga, CA 91730 909-948-4100 www.spectrasensors.com
CHECK: C. BREWER	DATE: 06OCT14		TITLE: ANALYZER SYSTEM OUTLINE & MOUNTING DIMENSIONS CSA, FIXED MNT, N-VAL, CONV
APPROVED: C. BREWER	DATE: 06OCT14	CUSTOMER P. O. NO.	
SALES ORDER NO.		CUSTOMER	
CUSTOMER P. O. NO.		LOCATION	
SIZE: D	CODE: 3XFV0	DRAWING NO.: SS2100CFNC-101	REV: C
AUTOCAD FILE: SS2100CFNC-101.DWG		SCALE: 1/4"=1"	SHEET 1 OF 1

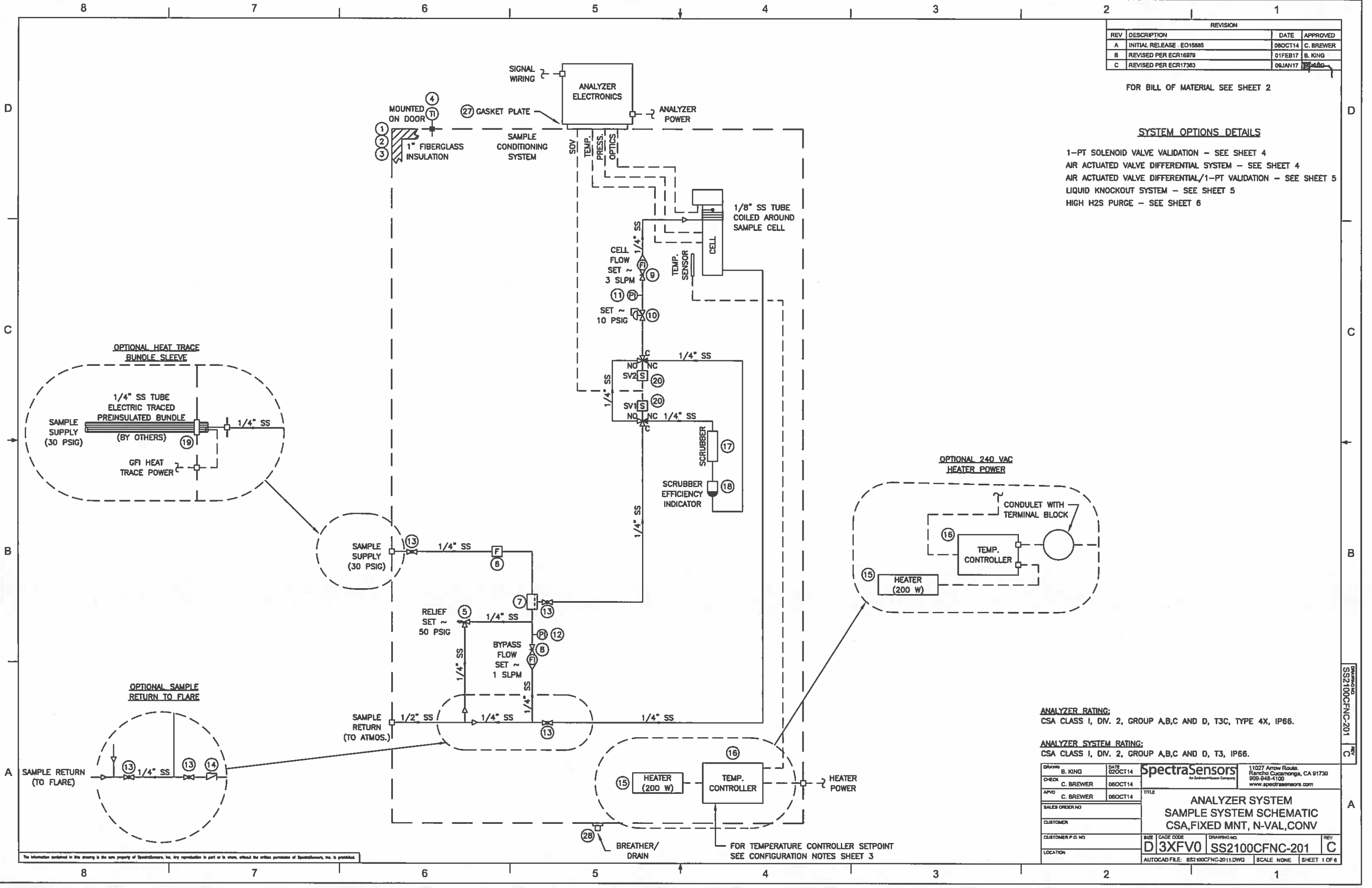
The information contained in this drawing is the sole property of SpectraSensors, Inc. Any reproduction in part or in whole, without the written permission of SpectraSensors, Inc. is prohibited.

REVISION			
REV	DESCRIPTION	DATE	APPROVED
A	INITIAL RELEASE - EO15885	06OCT14	C. BREWER
B	REVISED PER ECR16979	01FEB17	B. KING
C	REVISED PER ECR17363	06JAN17	B. KING

FOR BILL OF MATERIAL SEE SHEET 2

SYSTEM OPTIONS DETAILS

- 1-PT SOLENOID VALVE VALIDATION - SEE SHEET 4
- AIR ACTUATED VALVE DIFFERENTIAL SYSTEM - SEE SHEET 4
- AIR ACTUATED VALVE DIFFERENTIAL/1-PT VALIDATION - SEE SHEET 5
- LIQUID KNOCKOUT SYSTEM - SEE SHEET 5
- HIGH H2S PURGE - SEE SHEET 6



ANALYZER RATING:
CSA CLASS I, DIV. 2, GROUP A,B,C AND D, T3C, TYPE 4X, IP66.

ANALYZER SYSTEM RATING:
CSA CLASS I, DIV. 2, GROUP A,B,C AND D, T3, IP66.

DRAWN B. KING	DATE 02OCT14	SpectraSensors <small>An Instrumentation Company</small>	11027 Arrow Route, Rancho Cucamonga, CA 91730 909-948-1100 www.spectrasensors.com
CHECK C. BREWER	06OCT14		
APVD C. BREWER	06OCT14	TITLE ANALYZER SYSTEM SAMPLE SYSTEM SCHEMATIC CSA, FIXED MNT, N-VAL, CONV	
SALES ORDER NO.		SIZE D	CAGE CODE 3XFV0
CUSTOMER		DRAWING NO. SS2100CFNC-201	REV C
CUSTOMER P.O. NO.		AUTOCAD FILE SS2100CFNC-2011.DWG	SCALE NONE
LOCATION			SHEET 1 OF 8

The information contained in this drawing is the sole property of SpectraSensors, Inc. Any reproduction in part or in whole, without the written permission of SpectraSensors, Inc. is prohibited.

REVISION			
REV	DESCRIPTION	DATE	APPROVED
A	INITIAL RELEASE - E015885	06OCT14	C. BREWER
B	REVISED PER ECR16979	01FEB17	B. KING
C	REVISED PER ECR17363	09JAN17	B. KING

SEE CONFIGURATION NOTES

BILL OF MATERIALS

ITEM	QTY	DESCRIPTION	MANUFACTURER	PART NO.	SSI PART NO.
H2S < 50 PPM	17	1 H2S SCRUBBER, 2" DIA.	SPECTRASENSORS	0220351000	0220351000
H2S > 50 PPM	17	1 H2S SCRUBBER, 3" DIA.	SPECTRASENSORS	0220352000	0220352000
	18	1 H2S SCRUBBER EFFICIENCY INDICATOR	SPECTRASENSORS	8000002174	8000002174
FOR -XXXX0-XXXXX1X	19	1 TUBE BUNDLE SHRINK SLEEVE, 2.10" ID	NU-TECH	NUS-4X	6100002161
	27	1 GASKET, PLATE, SS2100	SPECTRASENSORS	0900002195	0900002195
	28	1 BREATHER DRAIN, TYPE BE,M25,ZONE1/DIV1	HLS	BE.25.S.NT	EX1300000036

SOV VOLTAGE
BASED ON POWER
SUPPLIED TO
ANALYZER ELECTRONICS

SOLENOID VALVE DIFFERENTIAL/NO VALIDATION (50°C AMBIENT)
(SEE SHT 1)

FOR -1X1X0-NXXXXXX	20	2 SOL. VALVE (3/2 WAY), 120 VAC, 1/8" FNPT (316SS)	BURKERT	466198	6100002781
FOR -2X1X0-NXXXXXX	20	2 SOL. VALVE (3/2 WAY), 240 VAC, 1/8" FNPT (316SS)	BURKERT	466197	6100002782
FOR -3X1X0-NXXXXXX	20	2 SOL. VALVE (3/2 WAY), 24 VDC, 1/8" FNPT (316SS)	BURKERT	466199	6100002780

SOLENOID VALVE DIFFERENTIAL/1-PT SOLENOID VALVE VALIDATION (50°C AMBIENT)
(SEE SHT 4)

FOR -1X1X0-1XXXXXX	20	3 SOL. VALVE (3/2 WAY), 120 VAC, 1/8" FNPT (316SS)	BURKERT	466198	6100002781
FOR -2X1X0-1XXXXXX	20	3 SOL. VALVE (3/2 WAY), 240 VAC, 1/8" FNPT (316SS)	BURKERT	466197	6100002782
FOR -3X1X0-1XXXXXX	20	3 SOL. VALVE (3/2 WAY), 24 VDC, 1/8" FNPT (316SS)	BURKERT	466199	6100002780
	13	1 BALL VALVE, 1/4" TF (SS)	SWAGELOK	SS-42GS4	6100002242

AIR ACTUATED VALVE DIFFERENTIAL/NO VALIDATION (50°C AMBIENT)
(SEE SHT 4)

FOR -1X1X0-2XXXXXX	20	1 SOL. VALVE (3/2 WAY), 120 VAC, 1/8" FNPT (SS)	BURKERT	98124074	6131401004
FOR -2X1X0-2XXXXXX	20	1 SOL. VALVE (3/2 WAY), 240 VAC, 1/8" FNPT (SS)	BURKERT	98123905	6131401003
FOR -3X1X0-2XXXXXX	20	1 SOL. VALVE (3/2 WAY), 24 VDC, 1/8" FNPT (SS)	BURKERT	456658	6131401002
	21	2 AIR-OPERATED VALVE (3-WAY), 1/8" FNPT (SS)	PARKER	2F-R2SK-V-SS	6100002135

AIR ACTUATED VALVE DIFFERENTIAL/NO VALIDATION (60°C AMBIENT)
(SEE SHT 4)

FOR -1X2X0-2XXXXXX	20	1 SOL. VALVE (3/2 WAY), 120 VAC, 1/8" FNPT (SS)	ASCO	EFHB8320G041-120/60VAC	6100002778
FOR -2X2X0-2XXXXXX	20	1 SOL. VALVE (3/2 WAY), 240 VAC, 1/8" FNPT (SS)	ASCO	EFHT8320G045-240/60VAC	6100002779
FOR -3X2X0-2XXXXXX	20	1 SOL. VALVE (3/2 WAY), 24 VDC, 1/8" FNPT (SS)	ASCO	EV8314G301	6100002777
	21	2 AIR-OPERATED VALVE (3-WAY), 1/8" FNPT (SS)	PARKER	2F-R2SK-V-SS	6100002135

AIR ACTUATED VALVE DIFFERENTIAL/1-PT AIR ACTUATED VALVE VALIDATION (50°C AMBIENT)
(SEE SHT 5)

FOR -1X1X0-3XXXXXX	20	2 SOL. VALVE (3/2 WAY), 120 VAC, 1/8" FNPT (SS)	BURKERT	98124074	6131401004
FOR -2X1X0-3XXXXXX	20	2 SOL. VALVE (3/2 WAY), 240 VAC, 1/8" FNPT (SS)	BURKERT	98123905	6131401003
FOR -3X1X0-3XXXXXX	20	2 SOL. VALVE (3/2 WAY), 24 VDC, 1/8" FNPT (SS)	BURKERT	456658	6131401002
	21	3 AIR-OPERATED VALVE (3-WAY), 1/8" FNPT (SS)	PARKER	2F-R2SK-V-SS	6100002135
	13	1 BALL VALVE, 1/4" TF (SS)	SWAGELOK	SS-42GS4	6100002242

AIR ACTUATED VALVE DIFFERENTIAL/1-PT AIR ACTUATED VALVE VALIDATION (60°C AMBIENT)
(SEE SHT 5)


FOR -1X2X0-3XXXXXX	20	2 SOL. VALVE (3/2 WAY), 120 VAC, 1/8" FNPT (SS)	ASCO	EFHB8320G041-120/60VAC	6100002778
FOR -2X2X0-3XXXXXX	20	2 SOL. VALVE (3/2 WAY), 240 VAC, 1/8" FNPT (SS)	ASCO	EFHT8320G045-240/60VAC	6100002779
FOR -3X2X0-3XXXXXX	20	2 SOL. VALVE (3/2 WAY), 24 VDC, 1/8" FNPT (SS)	ASCO	EV8314G301	6100002777
	21	3 AIR-OPERATED VALVE (3-WAY), 1/8" FNPT (SS)	PARKER	2F-R2SK-V-SS	6100002135
	13	1 BALL VALVE, 1/4" TF (SS)	SWAGELOK	SS-42GS4	6100002242

BILL OF MATERIALS

ITEM	QTY	DESCRIPTION	MANUFACTURER	PART NO.	SSI PART NO.
FOR -XXXX0-X1XXNXX	1	1 ENCLOSURE (NEMA 4X, SS), 36"x24"x12"	HOFFMAN	CSD362412SS	1400536246
FOR -XXXX0-X1XX2XX	2	1 MOUNTING BRACKET KIT (SS)	HOFFMAN	CMFKSS	1400400001
FOR -XXXX0-X2XXNXX	3	1 MOUNTING PANEL (PAINTED STEEL), 34.2"x22.2"	HOFFMAN	CP3624	1400436240
FOR -XXXX0-X2XX2XX	3	1 MOUNTING PANEL (PAINTED STEEL), 34.2"x22.2"	HOFFMAN	CP3624	1400436240
FOR -XXXX0-X5XXNXX	1	1 ENCLOSURE (NEMA 4X, 316LSS), 36"x24"x12"	HOFFMAN	CSD362412SS6	1400002232
FOR -XXXX0-X5XX2XX	2	1 MOUNTING BRACKET KIT (SS)	HOFFMAN	CMFKSS	1400400001
FOR -XXXX0-X6XXNXX	3	1 MOUNTING PANEL (PAINTED STEEL), 34.2"x22.2"	HOFFMAN	CP3624	1400436240
FOR -XXXX0-X6XX2XX	3	1 MOUNTING PANEL (PAINTED STEEL), 34.2"x22.2"	HOFFMAN	CP3624	1400436240
FOR -XXXX0-X1XX1XX	1	1 ENCLOSURE (NEMA 4X, SS), 36"x30"x12"	HOFFMAN	CSD363012SS	1400536306
FOR -XXXX0-X1XX3XX	2	1 MOUNTING BRACKET KIT (SS)	HOFFMAN	CMFKSS	1400400001
FOR -XXXX0-X2XX1XX	3	1 MOUNTING PANEL (PAINTED STEEL), 34.2"x28.2"	HOFFMAN	CP3630	1400436300
FOR -XXXX0-X2XX3XX	3	1 MOUNTING PANEL (PAINTED STEEL), 34.2"x28.2"	HOFFMAN	CP3630	1400436300
FOR -XXXX0-X5XX1XX	1	1 ENCLOSURE (NEMA 4X, 316LSS), 36"x30"x12"	HOFFMAN	CSD363012SS6	1400002168
FOR -XXXX0-X5XX3XX	2	1 MOUNTING BRACKET KIT (SS)	HOFFMAN	CMFKSS	1400400001
FOR -XXXX0-X6XX1XX	3	1 MOUNTING PANEL (PAINTED STEEL), 34.2"x28.2"	HOFFMAN	CP3624	1400436300
FOR -XXXX0-X6XX3XX	3	1 MOUNTING PANEL (PAINTED STEEL), 34.2"x28.2"	HOFFMAN	CP3624	1400436300
	4	1 TEMP. GAUGE (3"), 200°F, 4" STEM, 1/2" NPT (SS)	REOTEMP	AA-040-1-D43-TG	55032340B6
	5	1 RELIEF VALVE, 10-250PSIG, 1/4" TF (SS-MTR)	DK TECH	V63-D-4T-L-S	6100002638
	6	1 FILTER (TEE-TYPE), 7 MICRON, 1/4" TF (SS)	SWAGELOK	SS-4TF-7	6101520074
	7	1 MEMBRANE SEPARATOR, TYPE 6,W/LB,1/4"FNPT(SS)	A+ CORP	123-006-SS-LB	6100002455
FOR -XXXX0-XX1XXXX	8	1 FLOWMETER (W/VALVE), 2 SLPM, 1/4" FNPT (SS)	KING	74C123G081123810	6134100274
FOR -XXXX0-XX1XXXX	9	1 FLOWMETER (W/VALVE), 6 SLPM, 1/4" FNPT (SS)	KING	74C123G081523810	6134100674
FOR -XXXX0-XX2XXXX	8	1 FLOWMETER (ARM, W/VLV), 2.6 SLPM, 1/4" FNPT (SS)	KING	7101361003A2	6100002373
FOR -XXXX0-XX2XXXX	9	1 FLOWMETER (ARM, W/VLV), 6 SLPM, 1/4" FNPT (SS)	KING	7101361005A2	6134120674
	10	1 PRESS. REGULATOR, 25 PSIG, 1/4" FNPT (SS)	NEON CONTROLS	10-221B2-2AF2	6100002767
	11	1 PRESS. GAUGE (1.5"), 30 PSIG, 1/8" MNPT (SS)	MCDANIEL	SBL	6100002004
	12	1 PRESS. GAUGE (1.5"), 60 PSIG, 1/8" MNPT (SS)	MCDANIEL	SCL	6200000006
FOR -XXXX0-XXX1XXX	13	3 BALL VALVE, 1/4" TF (SS)	SWAGELOK	SS-42GS4	61303042S4
FOR -XXXX0-XXX2XXX	13	4 BALL VALVE, 1/4" TF (SS)	SWAGELOK	SS-42GS4	61303042S4
FOR -XXXX0-XXX2XXX	14	1 CHECK VALVE, 1/3 PSI, 1/4" TF (SS)	SWAGELOK	SS-4C-1/3	6130504C13
120 VAC, 50° SETPOINT	15	1 HEATER (DIV. 1), 200 W, 120 VAC	INTERTEC	CPA-200T3100-120V	1400402310
120 VAC, 50° SETPOINT	16	1 TEMP. CONTROLLER (DIV. 1), SET AT 50°C, 120 VAC	INTERTEC	TC CD E1 S J-50°C	5300002004
120 VAC, 60° SETPOINT	15	1 HEATER (DIV. 1), 200 W, 120 VAC	INTERTEC	CPA200T3100-120V	1400402310
120 VAC, 60° SETPOINT	16	1 TEMP. CONTROLLER (DIV. 1), SET AT 60°C, 120 VAC	INTERTEC	TC CD E1 S J-60°C	5300002005
240 VAC, 50° SETPOINT	15	1 HEATER (IECEX/ATEX/CSA), 200 W, 240 VAC	INTERTEC	CP VARITHERM	EX5300000008
240 VAC, 50° SETPOINT	16	1 TEMP. CONTROLLER (Z1/D2), SMART, 240 VAC	INTERTEC	DPA200T340BI-230V	EX5300000005
240 VAC, 60° SETPOINT	15	1 HEATER (IECEX/ATEX/CSA), 200 W, 240 VAC	INTERTEC	CP VARITHERM	EX5300000008
240 VAC, 60° SETPOINT	16	1 TEMP. CONTROLLER (DIV 1), DIG, 60°C, 240 VAC	INTERTEC	DPA200T340BI-230V	5300002034

ANALYZER RATING:
CSA CLASS I, DIV. 2, GROUP A,B,C AND D, T3C, TYPE 4X, IP66.

ANALYZER SYSTEM RATING:
CSA CLASS I, DIV. 2, GROUP A,B,C AND D, T3, IP66.

DRAWN B. KING	DATE 02OCT14	 11027 Arrow Route, Rancho Cucamonga, CA 91730 909-948-4100 www.spectrasensors.com
CHECK C. BREWER	06SEP14	
APVD C. BREWER	06SEP14	TITLE ANALYZER SYSTEM SAMPLE SYSTEM SCHEMATIC CSA, FIXED MNT, N-VAL, CONV
CUSTOMER P.O. NO.	SIZE D	CAGE CODE 3XFV0
LOCATION	DRAWING NO. SS2100CFNC-201	REV. C
AUTOCAD FILE: SS2100CFNC-2012.DWG		SCALE: NONE
SHEET 2 OF 6		

REVISION			
REV	DESCRIPTION	DATE	APPROVED
A	INITIAL RELEASE - E015865	06OCT14	C. BREWER
B	REVISED PER ECR16979	01FEB17	B. KING
C	REVISED PER ECR17363	06JAN17	B. KING

SEE CONFIGURATION NOTES

BILL OF MATERIALS

ITEM QTY DESCRIPTION MANUFACTURER PART NO. SSI PART NO.

LIQUID KNOCKOUT SYSTEM OPTION

(SEE SHT 5)

FOR -XXXX0-XXXX1XX FOR -XXXX0-XXXX3XX	22	1	COALESCING FILTER (GLASS BOWL), 1/4" FNPT (SS)	BALSTON	33G-1/4	6100002289
	23	1	FILTER ELEMENT, GRADE BX	BALSTON	100-12-BX	6100002288
	24	1	LIQUID DRAINER, 1/2" FNPT (SS)	ARMSTRONG	11-LD	6100002169
	25	1	BALL VALVE, OVAL HDL, 1/2" TF (SS)	SWAGELOK	SS-63TS8-JK	6130304254
	13	1	BALL VALVE, 1/4" TF (SS)	SWAGELOK	SS-42GS4	6100002242

HIGH H2S PURGE KIT OPTION

(SEE SHT 6)

FOR -XXXX0-XXXX2XX FOR -XXXX0-XXXX3XX	13	1	BALL VALVE, 1/4" TF (SS)	SWAGELOK	SS-42GS4	6100002242
	14	1	CHECK VALVE, 1/3 PSI, 1/4" TF (SS)	SWAGELOK	SS-4C-1/3	6130504C13
	26	1	NEEDLE VALVE, 1/4" TF (SS)	SWAGELOK	SS-1VS4	6130301VS4

CONFIGURATION NOTES:

- DIGITS IN NUMBER STRING SHOWN CORRESPOND TO OPTIONS SELECTED DURING SYSTEM CONFIGURATION.

SS2100-XXXXXX-XXXXX-XXXXXXX

SAMPLE CONDITIONING SYSTEM OPTIONS

- TEMPERATURE CONTROLLER SETPOINT DETERMINED BY OPTION SELECTED IN CONFIGURATION STRING SHOWN BELOW.

SS2100-XXXXXX-XXXXX-XXXXXXX

AMBIENT TEMPERATURE OPTION

- 1 = 50° C TEMPERATURE CONTROLLER SETPOINT
- 2 = 60° C TEMPERATURE CONTROLLER SETPOINT

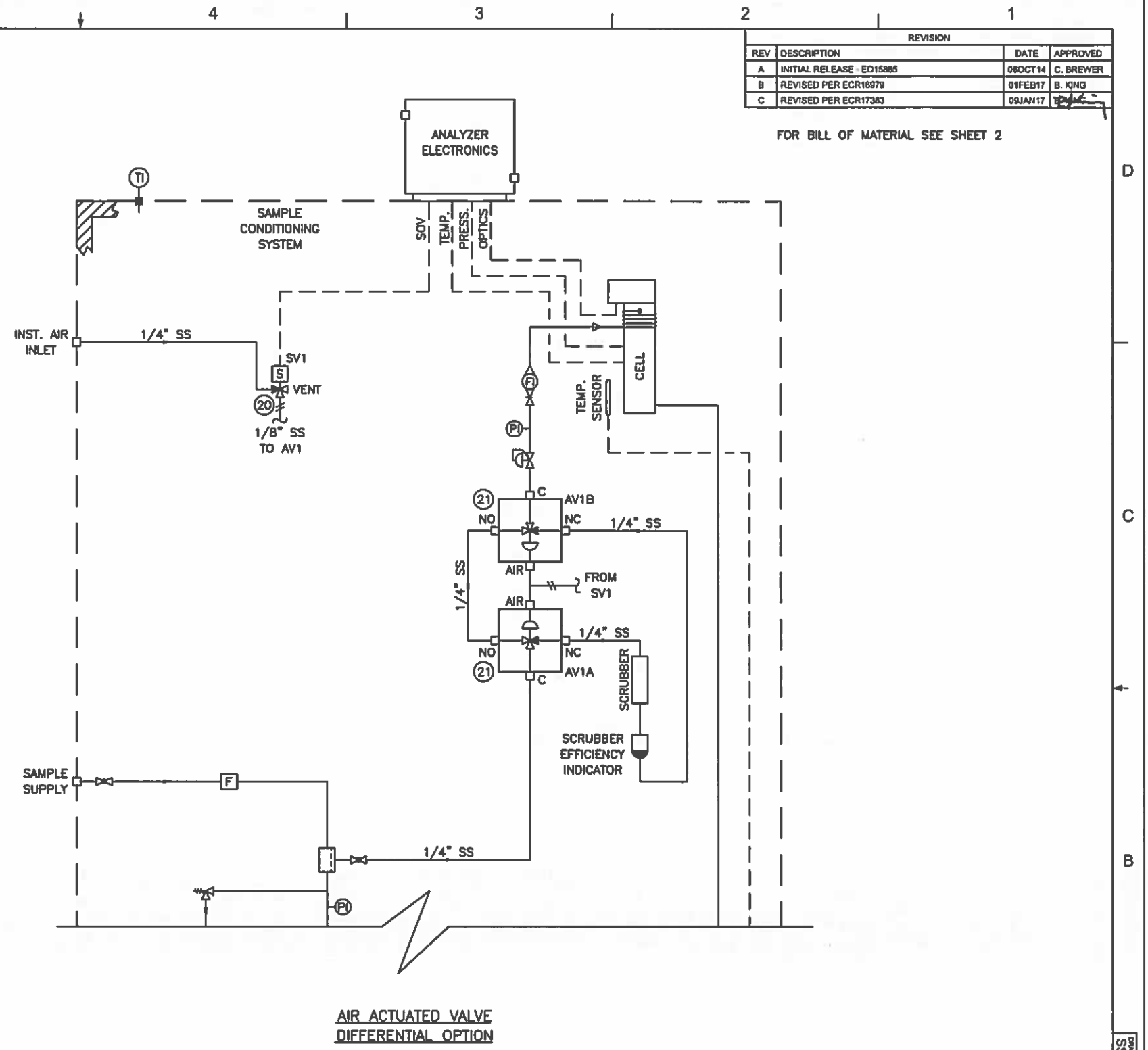
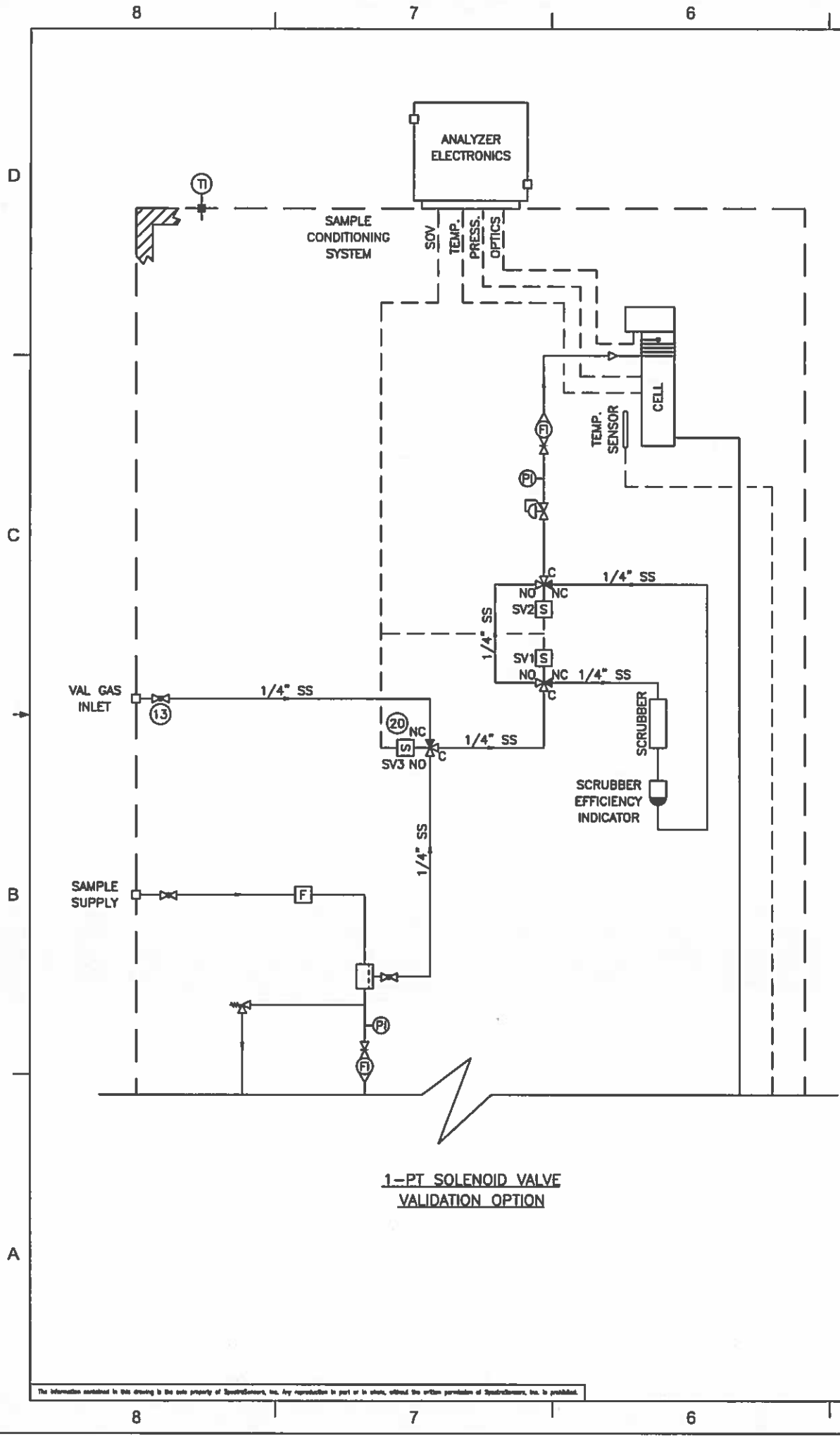
ANALYZER RATING:
CSA CLASS I, DIV. 2, GROUP A,B,C AND D, T3C, TYPE 4X, IP66.

ANALYZER SYSTEM RATING:
CSA CLASS I, DIV. 2, GROUP A,B,C AND D, T3, IP66.

DRAWN B. KING	DATE 02OCT14	SpectraSensors <small>An Emerson Process Company</small>		11027 Arrow Route, Rancho Cucamonga, CA 91730 909-948-4100 www.spectrasensors.com
CHECK C. BREWER	06SEP14	ANALYZER SYSTEM SAMPLE SYSTEM SCHEMATIC CSA, FIXED MNT, N-VAL, CONV		
APVD C. BREWER	06SEP14			
SALES ORDER NO.				
CUSTOMER				
CUSTOMER P.O. NO.		SIZE D 3XFV0	CAGE CODE SS2100CFNC-201	DRAWING NO. SS2100CFNC-201
LOCATION		AUTOCAD FILE: SS2100CFNC-2012.DWG	SCALE: NONE	SHEET 3 OF 6

REVISION			
REV	DESCRIPTION	DATE	APPROVED
A	INITIAL RELEASE - E015885	08OCT14	C. BREWER
B	REVISED PER ECR16979	01FEB17	B. KING
C	REVISED PER ECR17383	09JAN17	B. KING

FOR BILL OF MATERIAL SEE SHEET 2



ANALYZER RATING:
CSA CLASS I, DIV. 2, GROUP A,B,C AND D, T3C, TYPE 4X, IP66.

ANALYZER SYSTEM RATING:
CSA CLASS I, DIV. 2, GROUP A,B,C AND D, T3, IP66.

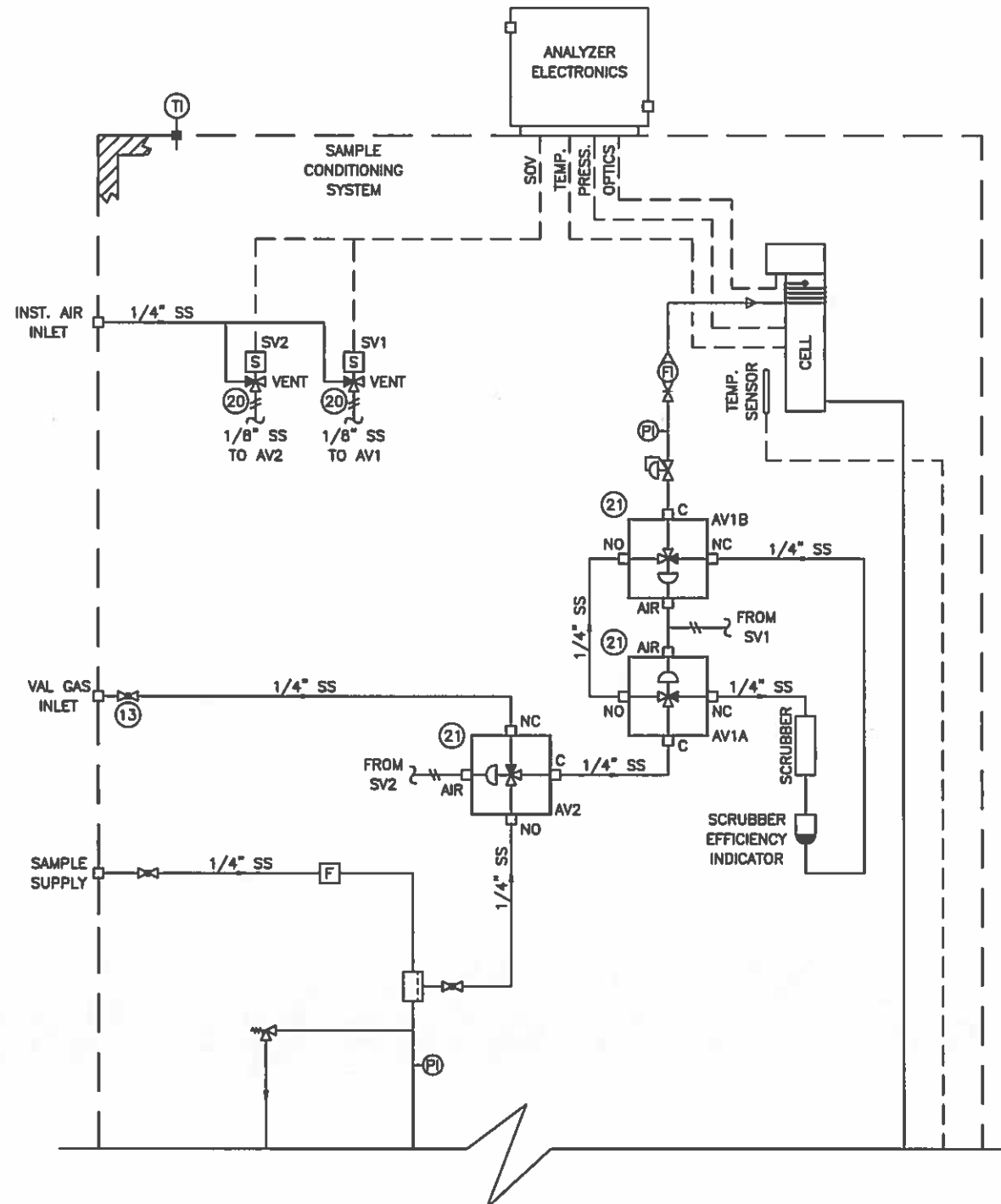
DRAWN B. KING	DATE 02OCT14	SpectraSensors <small>An Endress+Hauser Company</small>	11027 Arrow Route, Rancho Cucamonga, CA 91730 909-948-4100 www.spectrasensors.com
CHECK C. BREWER	06OCT14		
APVD C. BREWER	06OCT14	TITLE ANALYZER SYSTEM SAMPLE SYSTEM SCHEMATIC CSA, FIXED MNT, N-VAL, CONV	
SAMPLE ORDER NO.		SIZE D	CAGE CODE 3XFV0
CUSTOMER		DRAWING NO. SS2100CFNC-201	REV C
CUSTOMER P.O. NO.		AUTOCAD FILE SS2100CFNC-2013.DWG	SCALE NONE
LOCATION			SHEET 4 OF 6

The information contained in this drawing is the sole property of SpectraSensors, Inc. Any reproduction in part or in whole, without the written permission of SpectraSensors, Inc. is prohibited.

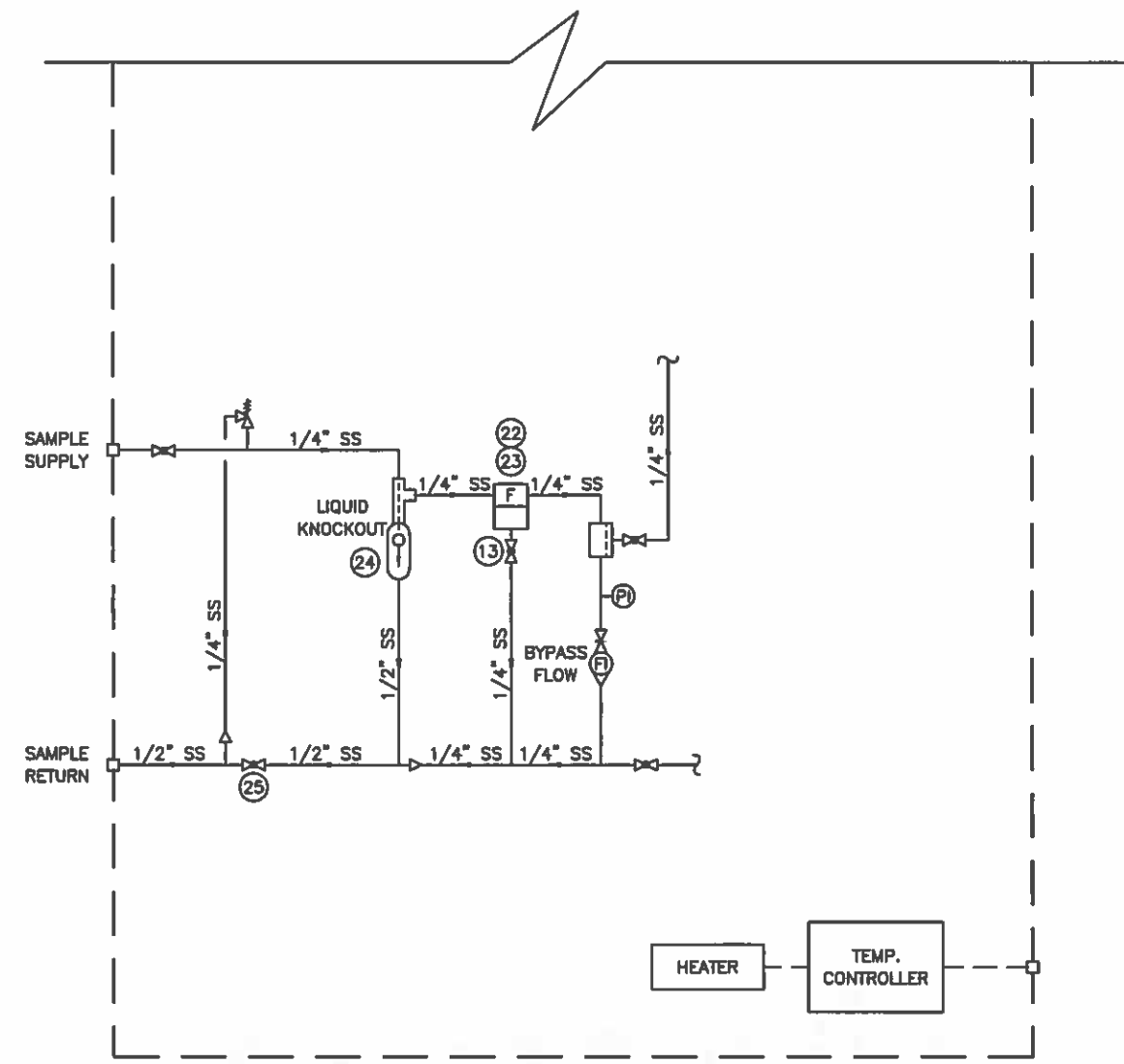
DRAWING NO. SS2100CFNC-201 REV. C

REVISION			
REV	DESCRIPTION	DATE	APPROVED
A	INITIAL RELEASE - EO15885	08OCT14	C. BREWER
B	REVISED PER ECR16979	01FEB17	B. KING
C	REVISED PER ECR17383	09JAN17	B. KING

FOR BILL OF MATERIAL SEE SHEET 2



1-PT AIR ACTUATED VALVE
VALIDATION OPTION



LIQUID KNOCKOUT
SYSTEM OPTION

ANALYZER RATING:
CSA CLASS I, DM. 2, GROUP A,B,C AND D, T3C, TYPE 4X, IP66.

ANALYZER SYSTEM RATING:
CSA CLASS I, DM. 2, GROUP A,B,C AND D, T3, IP66.

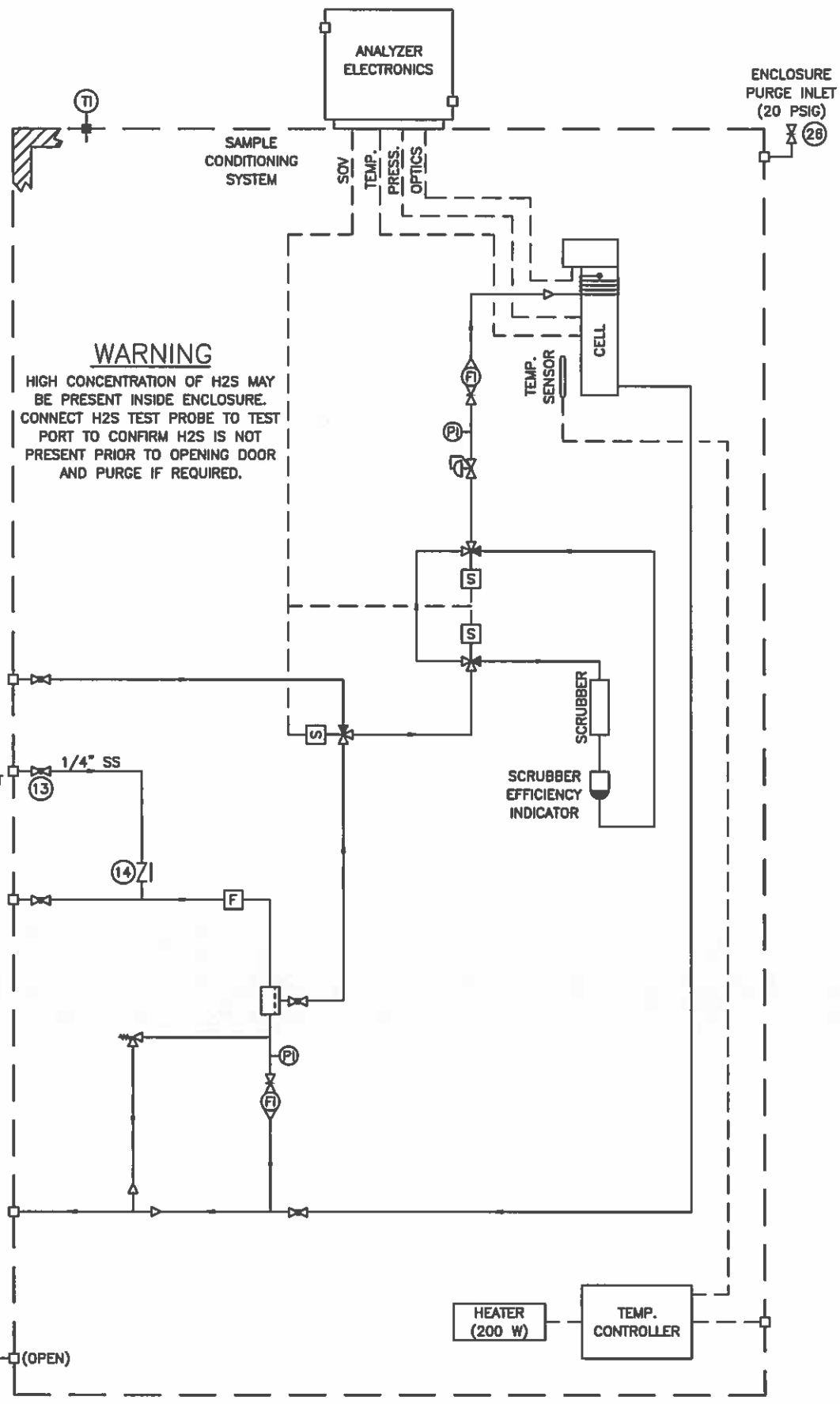
DRAWN B. KING CHECK C. BREWER APVD C. BREWER SALES ORDER NO. CUSTOMER CUSTOMER P.O. NO. LOCATION	DATE 02OCT14 06OCT14 06SEP14	SpectraSensors <small>An Endress+Hauser Company</small> 11027 Arrow Route Rancho Cucamonga, CA 91730 909-948-4100 www.spectrasensors.com	TITLE ANALYZER SYSTEM SAMPLE SYSTEM SCHEMATIC CSA, FIXED MNT, N-VAL, CONV
SIZE D 3XFV0		DRAWING NO. SS2100CFNC-201	REV C
AUTOCAD FILE: SS2100CFNC-2014.DWG		SCALE: NONE	SHEET 5 OF 6

The information contained in this drawing is the sole property of SpectraSensors, Inc. Any reproduction in part or in whole, without the written permission of SpectraSensors, Inc. is prohibited.

DRAWING NO. SS2100CFNC-201 REV. C

REVISION			
REV	DESCRIPTION	DATE	APPROVED
A	INITIAL RELEASE EO15885	02OCT14	C. BREWER
B	REVISED PER ECR16879	01FEB17	B. KING
C	REVISED PER ECR17363	08JAN17	B. KING

FOR BILL OF MATERIAL SEE SHEET 2



WARNING
 HIGH CONCENTRATION OF H2S MAY BE PRESENT INSIDE ENCLOSURE. CONNECT H2S TEST PROBE TO TEST PORT TO CONFIRM H2S IS NOT PRESENT PRIOR TO OPENING DOOR AND PURGE IF REQUIRED.

ANALYZER RATING:
 CSA CLASS I, DIV. 2, GROUP A,B,C AND D, T3C, TYPE 4X, IP66.

ANALYZER SYSTEM RATING:
 CSA CLASS I, DIV. 2, GROUP A,B,C AND D, T3, IP66.

DRAWN B. KING	DATE 02OCT14	SpectraSensors <small>An Endress+Hauser Company</small>		11027 Arrow Route, Rancho Cucamonga, CA 91730 909-943-4100 www.spectrasensors.com	
CHECK C. BREWER	06OCT14	ANALYZER SYSTEM SAMPLE SYSTEM SCHEMATIC CSA, FIXED MNT, N-VAL, CONV			
APVD C. BREWER	06OCT14				
SALES ORDER NO.					
CUSTOMER					
CUSTOMER P.O. NO.		SIZE D	CAGE CODE 3XFV0	DRAWING NO. SS2100CFNC-201	REV C
LOCATION		AUTOCAD FILE: SS2100CFNC-2015.DWG		SCALE NONE	SHEET 6 of 6

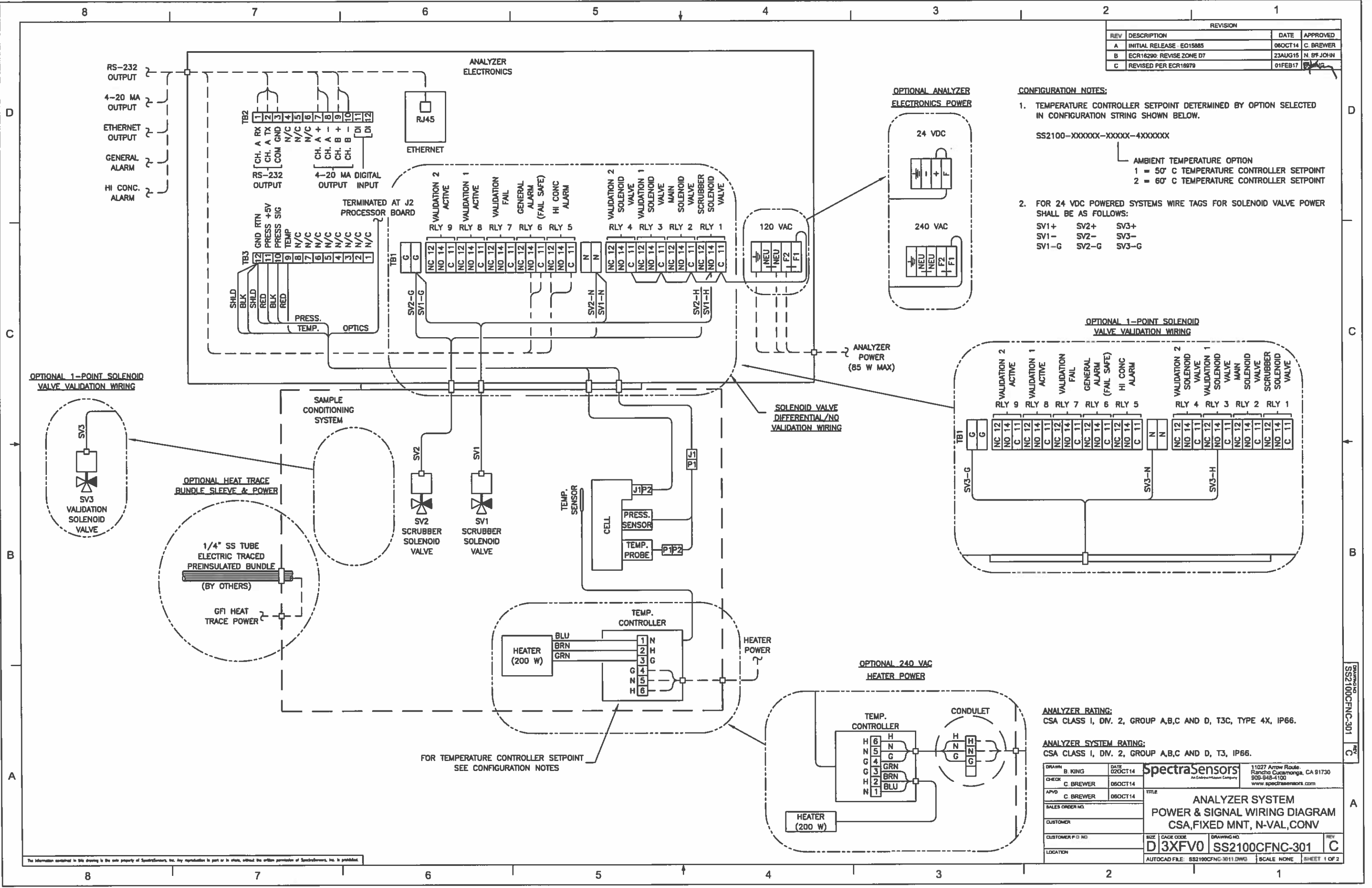
The information contained in this drawing is the sole property of SpectraSensors, Inc. Any reproduction in part or in whole, without the written permission of SpectraSensors, Inc. is prohibited.

DRAWING NO. SS2100CFNC-201 REV C

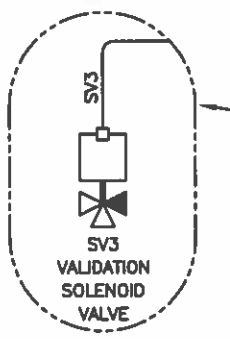
REVISION			
REV	DESCRIPTION	DATE	APPROVED
A	INITIAL RELEASE EO15885	08OCT14	C. BREWER
B	ECR16290: REVISE ZONE D7	23AUG15	N. BY JOHN
C	REVISED PER ECR16879	01FEB17	[Signature]

- CONFIGURATION NOTES:**
- TEMPERATURE CONTROLLER SETPOINT DETERMINED BY OPTION SELECTED IN CONFIGURATION STRING SHOWN BELOW.
SS2100-XXXXXX-XXXXX-4XXXXXX
 - AMBIENT TEMPERATURE OPTION
 - 1 = 50° C TEMPERATURE CONTROLLER SETPOINT
 - 2 = 60° C TEMPERATURE CONTROLLER SETPOINT
 - FOR 24 VDC POWERED SYSTEMS WIRE TAGS FOR SOLENOID VALVE POWER SHALL BE AS FOLLOWS:

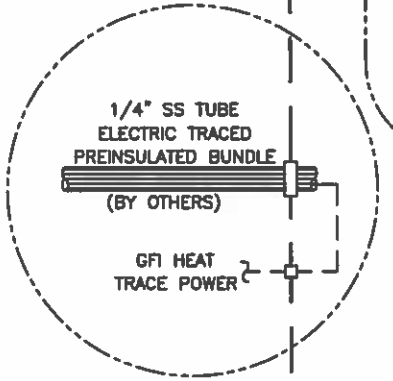
SV1+	SV2+	SV3+
SV1-	SV2-	SV3-
SV1-G	SV2-G	SV3-G



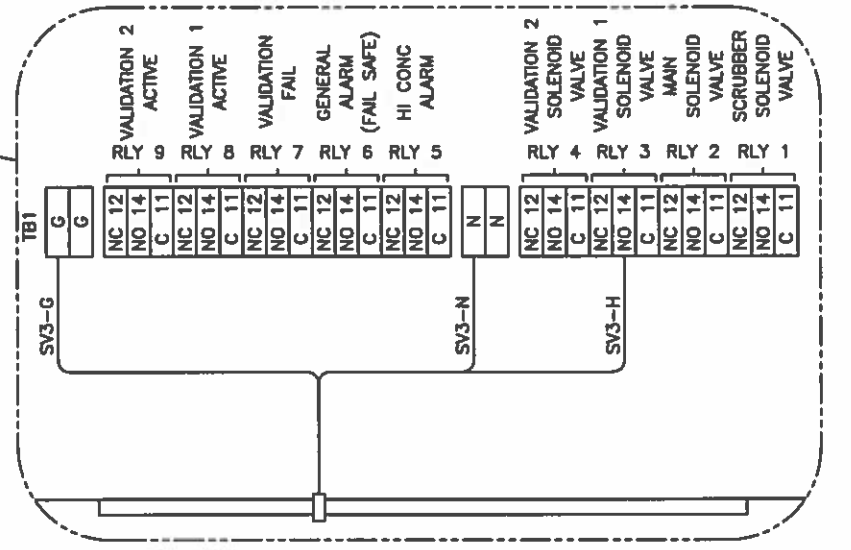
OPTIONAL 1-POINT SOLENOID VALVE VALIDATION WIRING



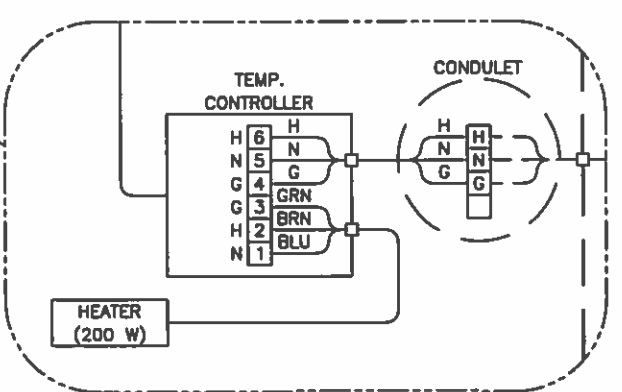
OPTIONAL HEAT TRACE BUNDLE SLEEVE & POWER



OPTIONAL 1-POINT SOLENOID VALVE VALIDATION WIRING



OPTIONAL 240 VAC HEATER POWER



ANALYZER RATING:
CSA CLASS I, DIV. 2, GROUP A,B,C AND D, T3C, TYPE 4X, IP66.

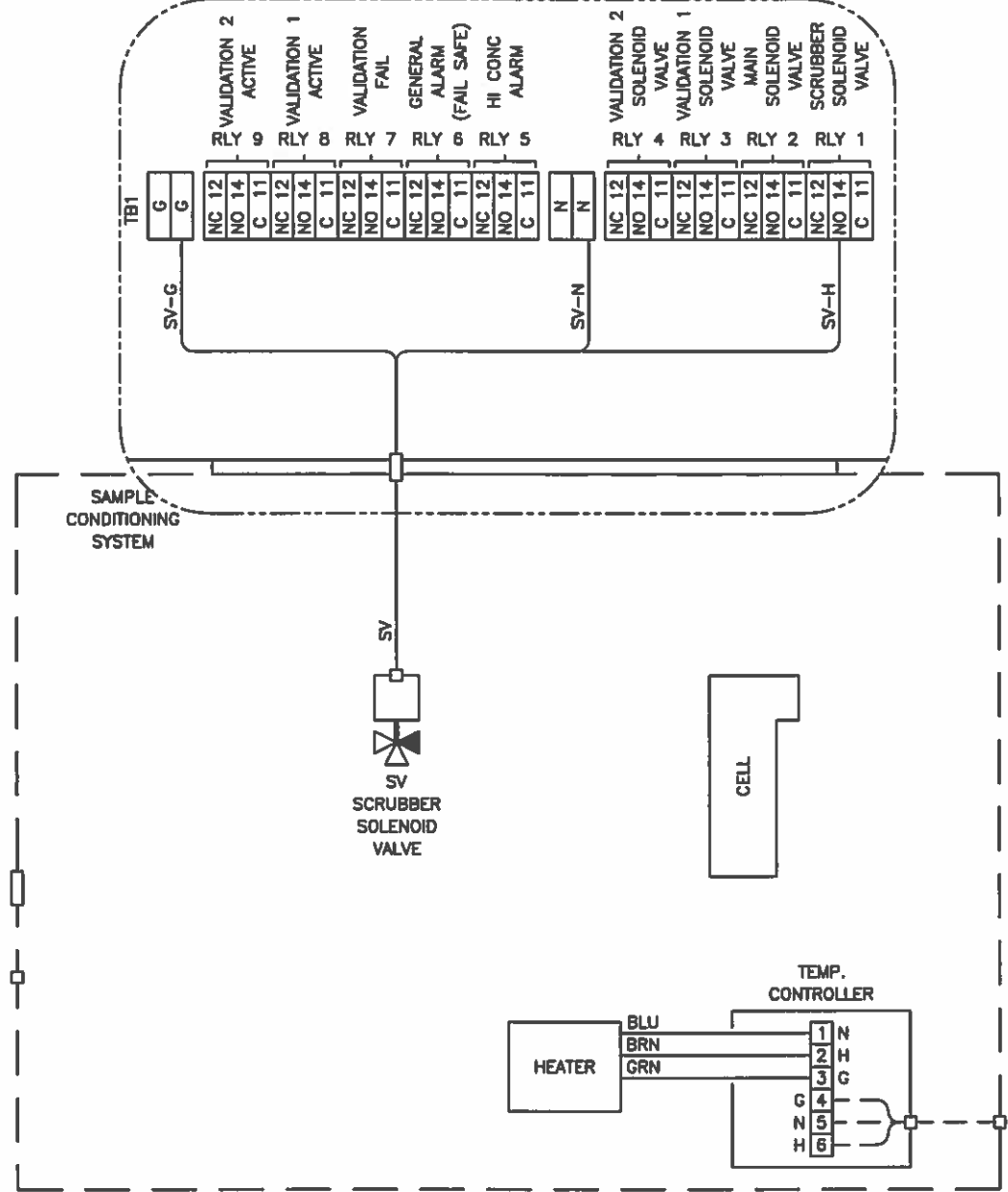
ANALYZER SYSTEM RATING:
CSA CLASS I, DIV. 2, GROUP A,B,C AND D, T3, IP66.

DRAWN: B. KING CHECK: C. BREWER APVD: C. BREWER SALES ORDER NO. CUSTOMER CUSTOMER P.O. NO. LOCATION	DATE: 02OCT14 06OCT14 08OCT14	SpectraSensors <small>An Endress+Hauser Company</small> 11027 Arrow Route, Rancho Cucamonga, CA 91730 909-548-4100 www.spectrasensors.com	ANALYZER SYSTEM POWER & SIGNAL WIRING DIAGRAM CSA, FIXED MNT, N-VAL, CONV
SIZE: D CAUSE CODE: 3XFV0 AUTOCAD FILE: SS2100CFNC-3011.DWG	DRAWING NO: SS2100CFNC-301 SCALE: NONE	REV: C SHEET: 1 OF 2	

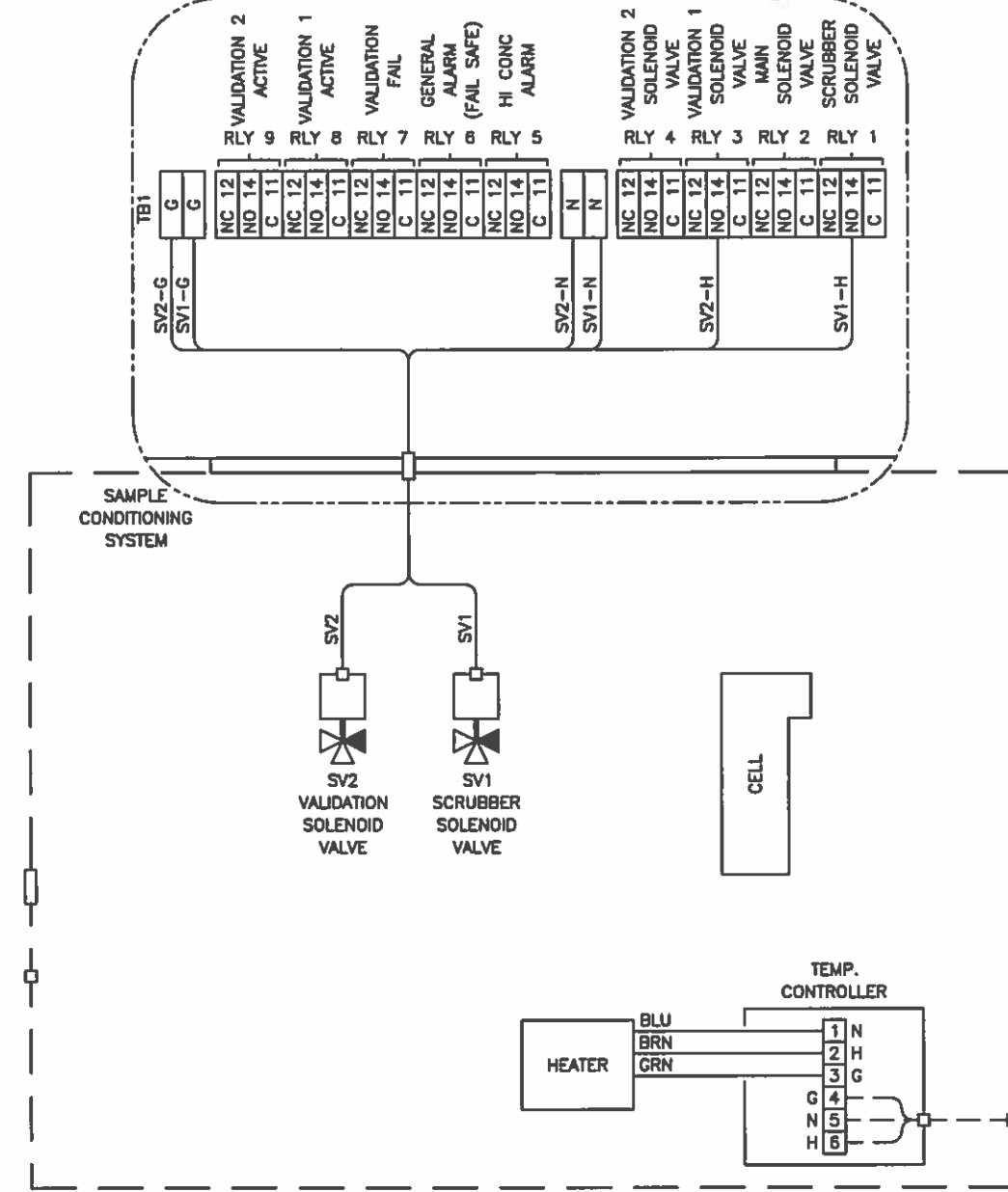
The information contained in this drawing is the sole property of SpectraSensors, Inc. Any reproduction in part or in whole, without the written permission of SpectraSensors, Inc. is prohibited.

REVISION			
REV	DESCRIPTION	DATE	APPROVED
A	INITIAL RELEASE E015885	06OCT14	C BREWER
B	ECR16290: SHEET 1, REVISE ZONE D7	23AUG15	N. ST JOHN
C	REVISED PER ECR16979	01FEB17	CS

**OPTIONAL AIR ACTUATED VALVE
DIFFERENTIAL/NO VALIDATION WIRING**



**OPTIONAL AIR ACTUATED VALVE DIFFERENTIAL/
1-POINT AIR ACTUATED VALVE VALIDATION WIRING**



ANALYZER RATING:
CSA CLASS I, DIV. 2, GROUP A,B,C AND D, T3C, TYPE 4X, IP65.

ANALYZER SYSTEM RATING:
CSA CLASS I, DIV. 2, GROUP A,B,C AND D, T3, IP66.

DRAWN B. KING CHECK C. BREWER APVD C. BREWER SALES ORDER NO. CUSTOMER CUSTOMER P.O. NO. LOCATION	DATE 02OCT14 06OCT14 06OCT14	SpectraSensors <small>An Endress+Hausser Company</small> 11027 Arrow Route Rancho Cucamonga, CA 91730 909-948-4100 www.spectrasensors.com	TITLE ANALYZER SYSTEM POWER & SIGNAL WIRING DIAGRAM CSA, FIXED MNT, N-VAL, CONV
SIZE D	CAGE CODE 3XFV0	DRAWING NO. SS2100CFNC-301	REV C
AUTOCAD FILE: SS2100CFNC-301.DWG		SCALE: NONE	SHEET 2 OF 2

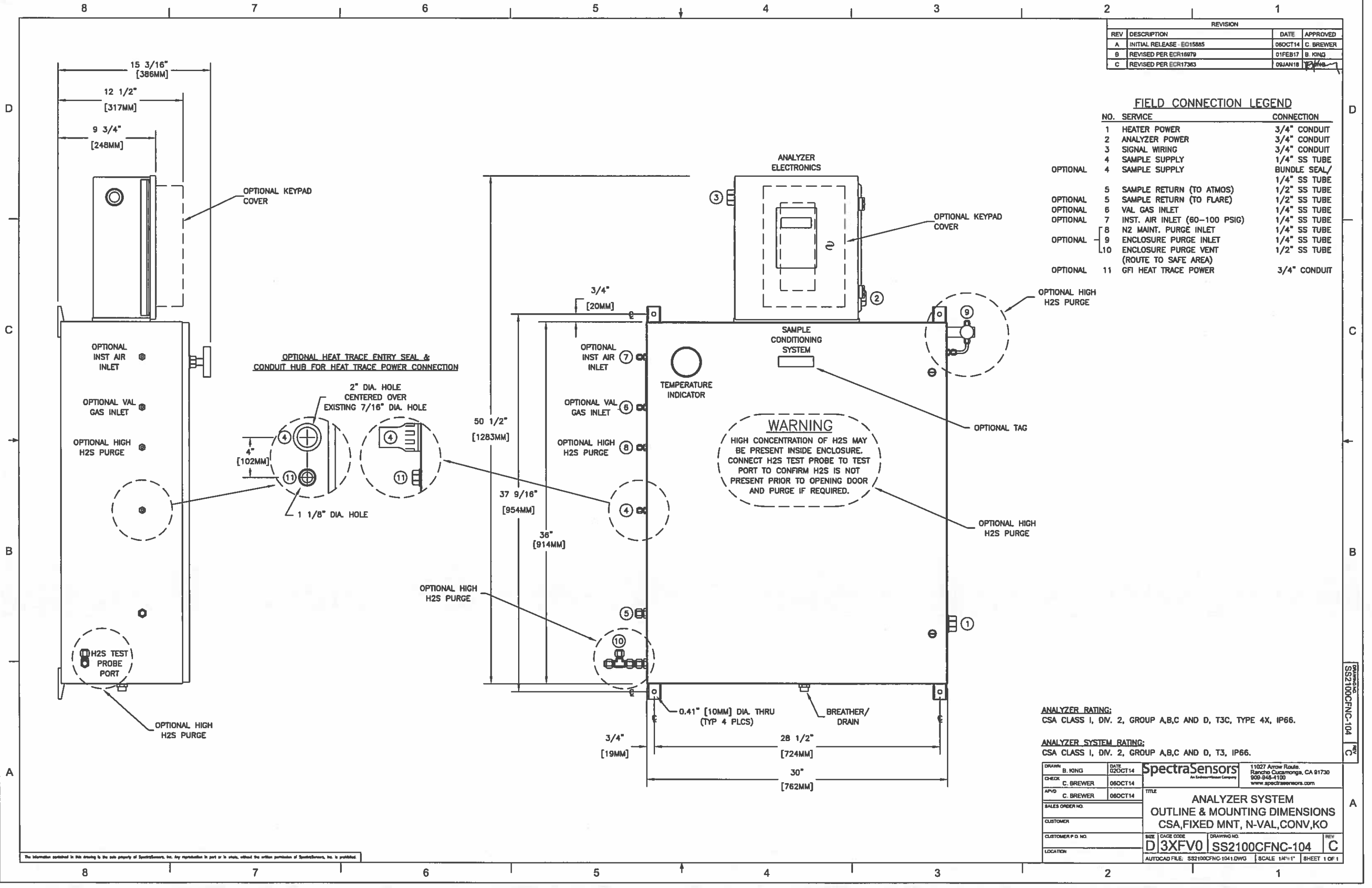
The information contained in this drawing is the sole property of SpectraSensors, Inc. Any reproduction in part or in whole, without the written permission of SpectraSensors, Inc. is prohibited.

DRAWING NO. SS2100CFNC-301 REV. C

REVISION			
REV	DESCRIPTION	DATE	APPROVED
A	INITIAL RELEASE - E015885	06OCT14	C. BREWER
B	REVISED PER ECR16979	01FEB17	B. KING
C	REVISED PER ECR17363	09JAN18	B. KING

FIELD CONNECTION LEGEND

NO.	SERVICE	CONNECTION
1	HEATER POWER	3/4" CONDUIT
2	ANALYZER POWER	3/4" CONDUIT
3	SIGNAL WIRING	3/4" CONDUIT
4	SAMPLE SUPPLY	1/4" SS TUBE
OPTIONAL 4	SAMPLE SUPPLY	BUNDLE SEAL/ 1/4" SS TUBE
5	SAMPLE RETURN (TO ATMOS)	1/2" SS TUBE
OPTIONAL 5	SAMPLE RETURN (TO FLARE)	1/2" SS TUBE
OPTIONAL 6	VAL GAS INLET	1/4" SS TUBE
OPTIONAL 7	INST. AIR INLET (60-100 PSIG)	1/4" SS TUBE
OPTIONAL 8	N2 MAINT. PURGE INLET	1/4" SS TUBE
OPTIONAL 9	ENCLOSURE PURGE INLET	1/4" SS TUBE
OPTIONAL 10	ENCLOSURE PURGE VENT (ROUTE TO SAFE AREA)	1/2" SS TUBE
OPTIONAL 11	GFI HEAT TRACE POWER	3/4" CONDUIT



ANALYZER RATING:
CSA CLASS I, DIV. 2, GROUP A,B,C AND D, T3C, TYPE 4X, IP66.

ANALYZER SYSTEM RATING:
CSA CLASS I, DIV. 2, GROUP A,B,C AND D, T3, IP66.

DRAWN B. KING	DATE 02OCT14	SpectraSensors <small>An Endress+Hauser Company</small>	11027 Arrow Route, Rancho Cucamonga, CA 91730 909-948-4100 www.spectrasensors.com
CHECK C. BREWER	06OCT14		
APVD C. BREWER	06OCT14	TITLE ANALYZER SYSTEM OUTLINE & MOUNTING DIMENSIONS CSA, FIXED MNT, N-VAL, CONV, KO	
SALES ORDER NO.		SIZE D	CAGE CODE 3XFV0
CUSTOMER		DRAWING NO. SS2100CFNC-104	REV C
CUSTOMER P.O. NO.		AUTOCAD FILE: SS2100CFNC-104.DWG	
LOCATION		SCALE 1/4"=1"	SHEET 1 OF 1

The information contained in this drawing is the sole property of SpectraSensors, Inc. Any reproduction in part or in whole, without the written permission of SpectraSensors, Inc. is prohibited.