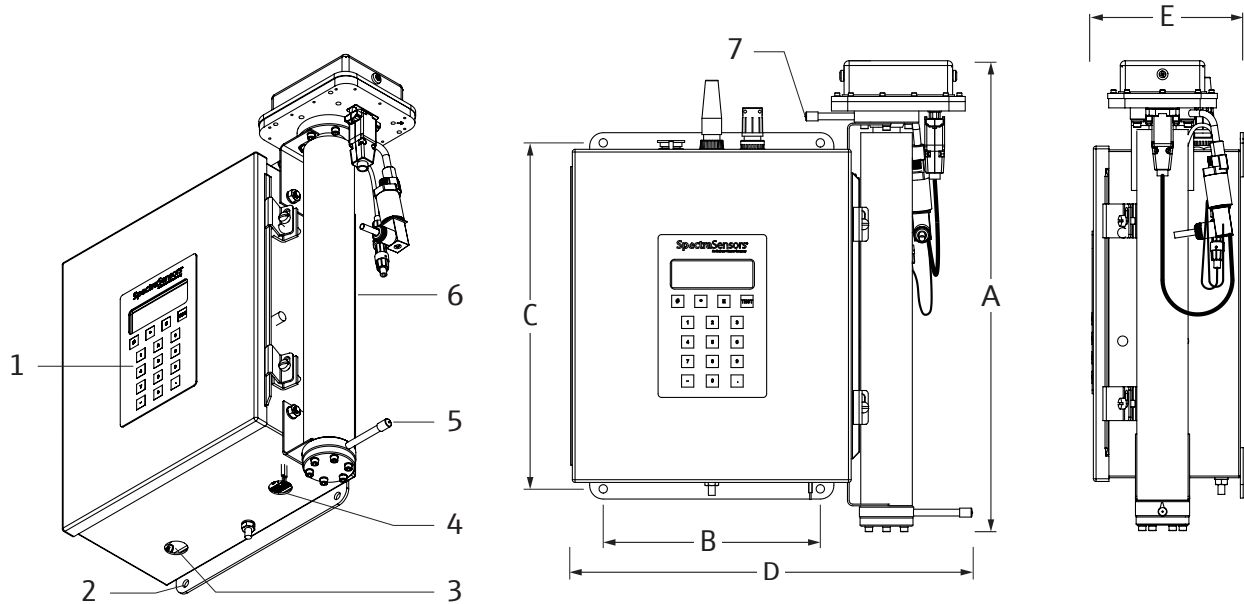


Technical Information

SS500/SS2000 Analyzers

Typical configuration for H₂O in natural gas analyzers



Field Connections and Product Features

1. Analyzer electronics with display and keypad
2. Mounting hole (four)
3. Signal wiring
4. Power inlet
5. Sample inlet
6. Measurement cell and laser
7. Sample vent

Dimensions		
	Inches	mm
A	17.27	439
B	8.00	203
C	12.75	324
D	14.59	371
E	5.75	146

DISCLAIMER: These drawings are for quoting purposes only. Dimensions may change if accessories are added. Consult factory when further clarification is needed.

www.spectrasensors.com/contact