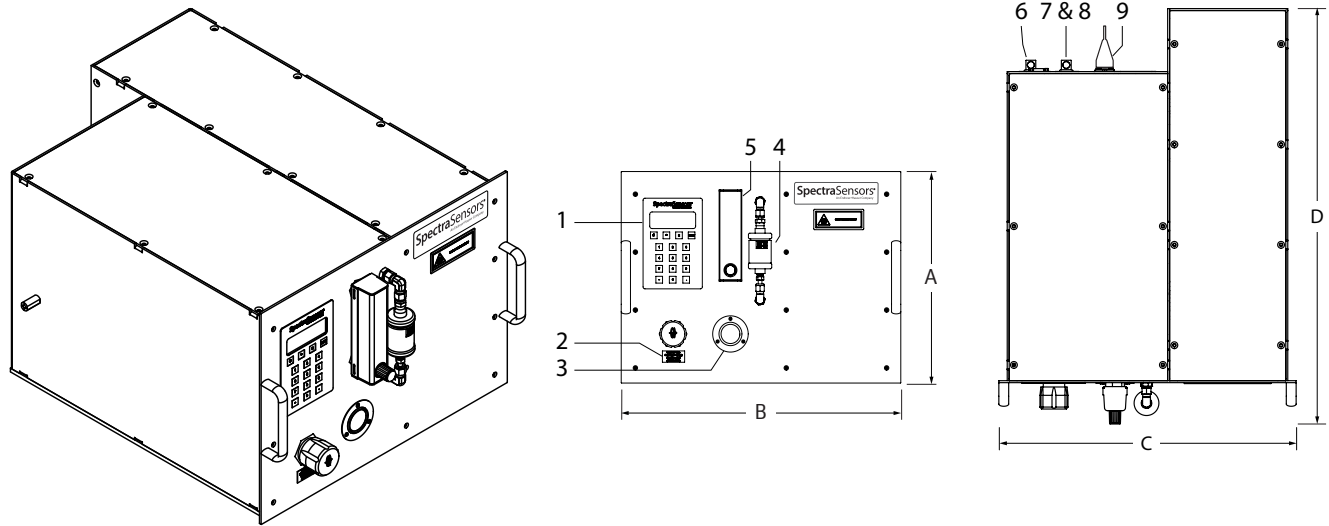


Technical Information

# SS2100r Rack Mount Analyzer

## Typical configuration for H<sub>2</sub>S and H<sub>2</sub>O analyzers



### Field Connections and Product Features

1. Analyzer electronics with display and keypad
2. Pressure regulator
3. Pressure gauge
4. Scrubber efficiency (H<sub>2</sub>S measurements only)
5. Flow meter
6. Signal wiring
7. Sample inlet
8. Sample return
9. Analyzer power

Dimensions		
	Inches	mm
A	14.00	355.6
B	18.81	477.8
C	17.81	452.4
D	23.75	603.3

DISCLAIMER: These drawings are for quoting purposes only. Dimensions may change if accessories are added. Consult factory when further clarification is needed.

[www.spectrasensors.com/contact](http://www.spectrasensors.com/contact)